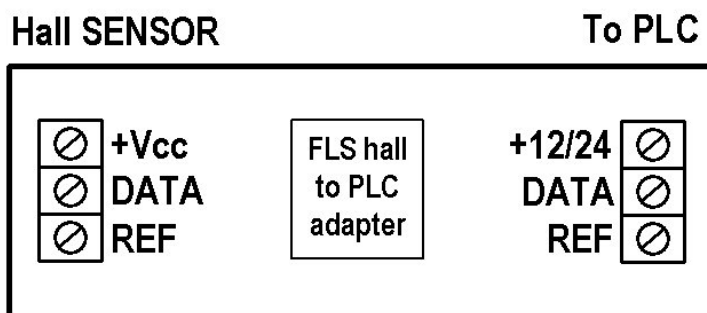
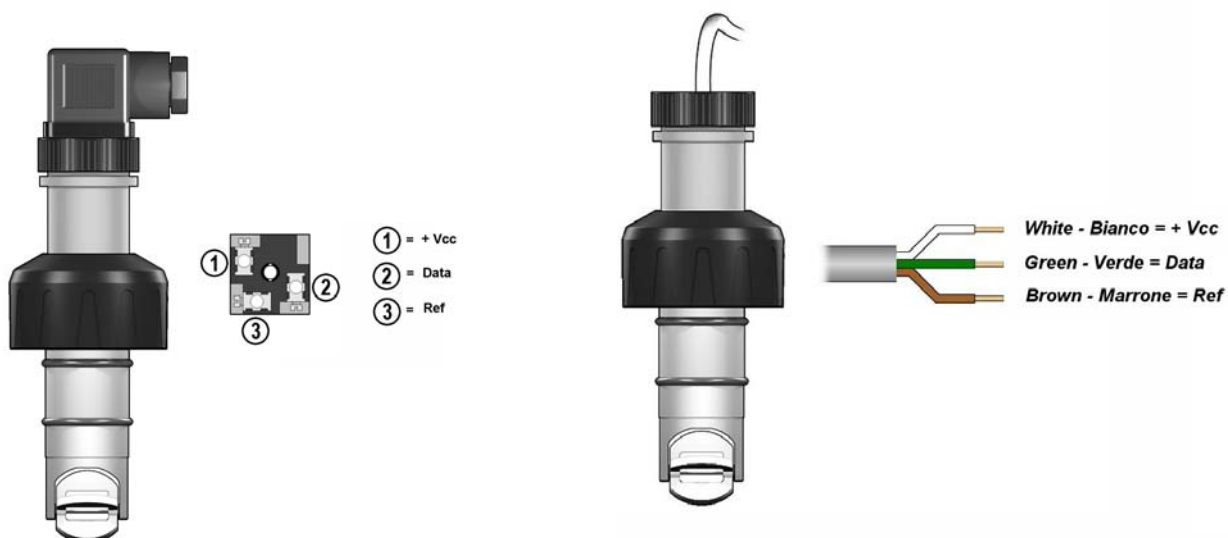


## Interface Module Sensor to PLC

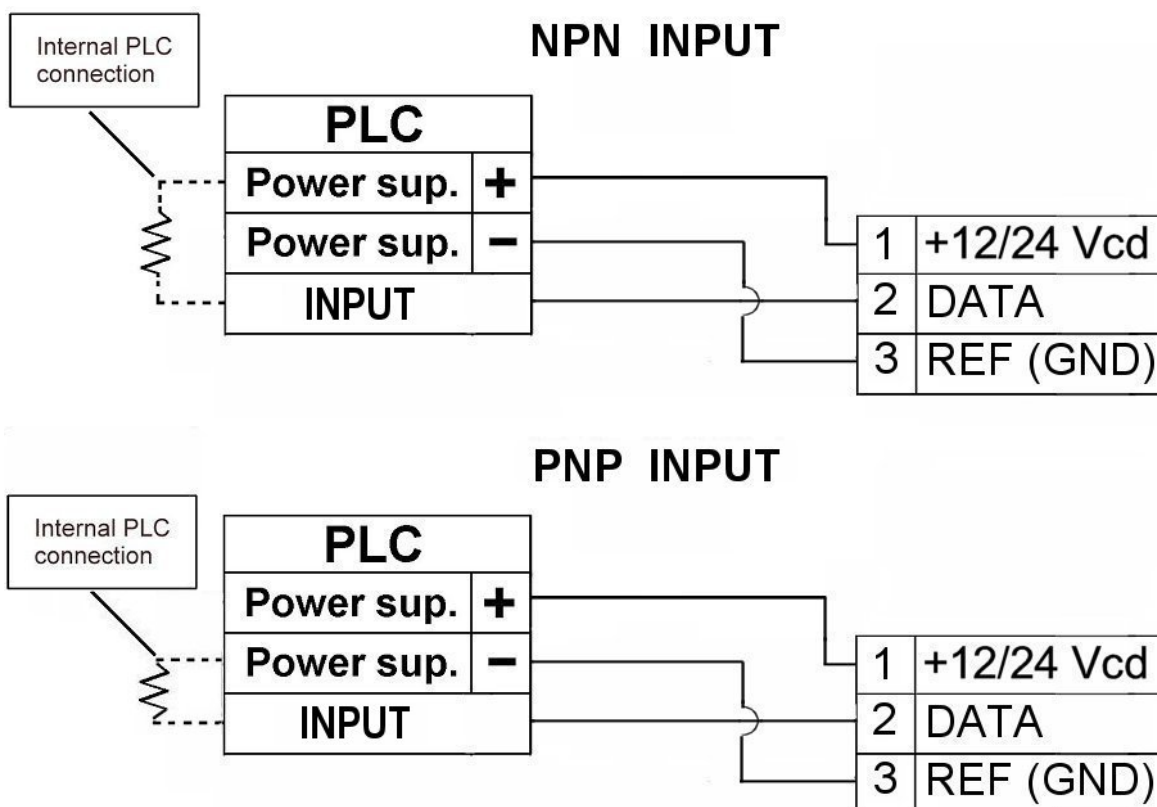
### Electrical Connection between Sensor to Module to PLC



- Connection Sensor ( F 3.00.H.XX or F 3.00.F.XX ) to Module



- **Connection Module to PLC**



### Technical Data:

Supply voltage : 12 to 24 Vdc regulated  
 Supply current :  $I_{Alim} = 11 \text{ mA} @ I_{Out} = 0$   
 Output signal : square wave  
 Output type : Push – Pull  
 Output current :  $I_{Out} \text{ Max} < 20 \text{ mA}$   
 Mounting information : on DIN rail

### Standard & Approvals:

Manufactured under ISO 9002  
 CE



### GESINT S.R.L.

Via Perosi, 5  
 20010 Bareggio (MI)  
 Tel 02/9014633 – 335/6282615  
 Fax 02/90362295  
 E-mail: [info@gesintsrl.it](mailto:info@gesintsrl.it)  
**WWW.GESINTSRL.IT**