



TURBINE WATER METER FOR CLEAR WATER GSD5 - USLC - DALC SERIES



GSD5
DN 13 / 20

Liters/pulse: 1-10-100-1000
Cable length: 3 meters



USLC
DN 13 / 20

Liters/pulse: 0,25-0,5-1-2,5-5-10-25-50-100-250-500-1000
Cable length: 2 meters

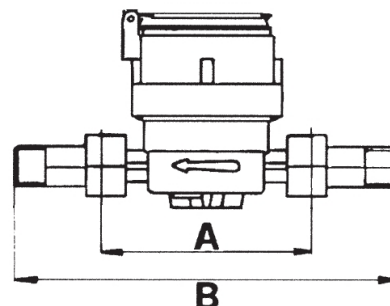


DALC
DN 25 / 30 / 40

Technical features:

- SINGLE Jet water meter, dry-dial, for hot water up to 90°C
- Direct reading 5-digit roller counter
- Include reed pulse output: max voltage 24V, max current 0,5A, max power 10W/VA
- For cloudy, calcareous water with suspended sediments: a completely dry and unsubmerged register
- Installation for GSD5 and USLC series: horizontal (class B) and vertical (class A)
- Installation for DALC series: only horizontal (class B)
- C.E.E. homologation under directive n.75/33

DN size			13	20	25	30	40
Qmax	Maximum flow rate for few minutes	m³/h	3	5	7	10	20
Qn	Nominal continuous flow rate	m³/h	1,5	2,5	3,5	5	10
Qt	Minimum flow rate with ±2% error	l/h	120	200	280	400	800
Qmin	Minimum flow rate with ±5% error	l/h	30	50	70	100	200
	Starting flow	l/h	5	8	13	13	18
	Working pressure	bar	16	16	16	16	16
	Length without pipe fittings A	mm	110	130	160	160	200
	Length with pipe fittings B	mm	190	228	260	280	340



Typical accuracy curve

