



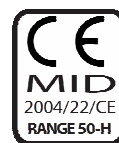
TURBINE WATER METER FOR CLEAR WATER GMDX SERIES



GMDX

DN 25 / 30 / 40 / 50

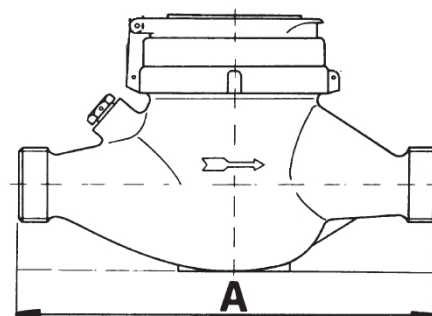
Liters/pulse: 1-10-100-1000
Cable length: 3 meters



Technical features:

- MULTIPLE Jet water meter, dry-dial, for hot water up to 90°C
- Direct reading 5-digit roller counter
- Include reed impulse output: max voltage 24V, max current 0,5A, max power 10W/VA
- For cloudy, calcareous water with suspended sediments: a completely dry and unsubmerged register
- Installation: only horizontal
- Max working pressure: 16 bar
- **Approved MID R50-H**

DN size			25	30	40	50
Q4	Overload flowrate	m³/h	7,87	12,5	20	31,25
Q3	Permanent flow rate	m³/h	6,3	10	16	25
Q2	Transitional flow rate	l/h	202	320	512	800
Q1	Min flow rate	l/h	126	200	320	500
	Sensitivity	l/h	17	27	46	75
	Length without pipe fittings A	mm	260	260	300	300
	Length with pipe fittings	mm	360	380	440	460



Typical error curve

