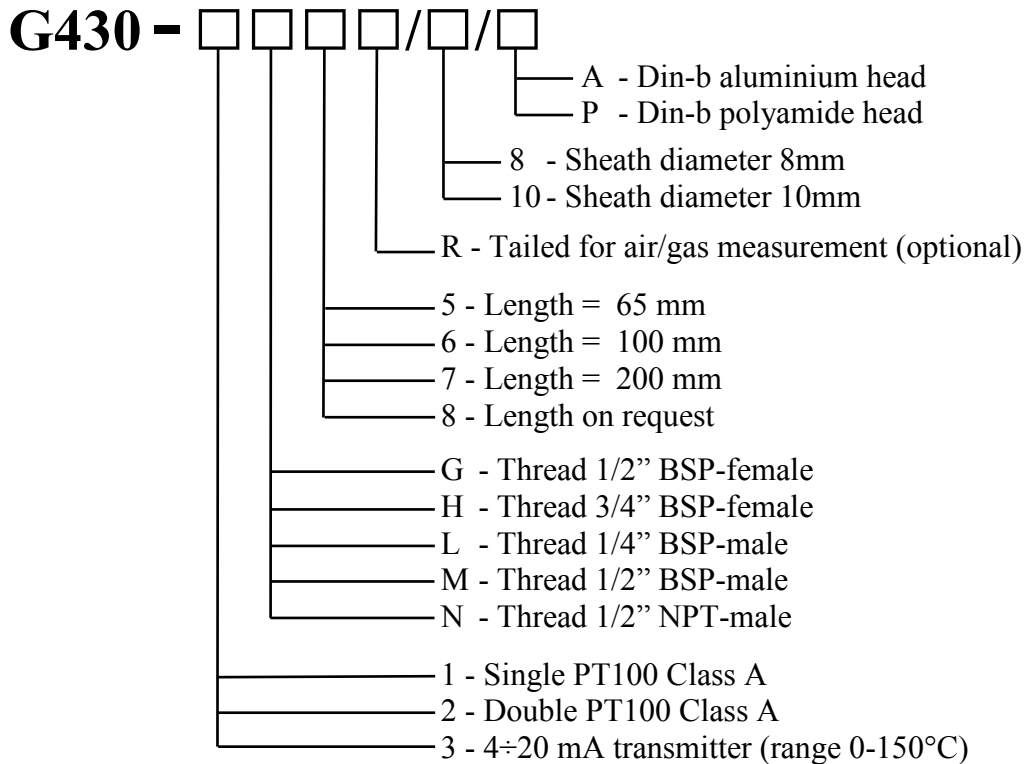
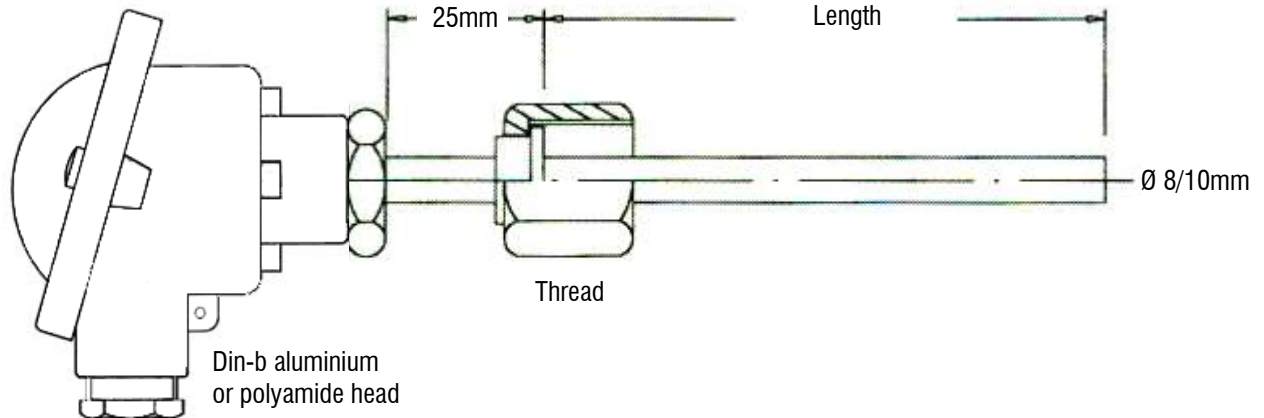




PT100 ohm 0°C resistor thermometers (cl.A IEC751)

GESINT®
WWW.GESINTSRL.IT

G430



This temperature probe is suitable for immersion survey. It has an IP65 protection degree, sheath is made with AISI316L (ASTM-A479-Last Version) and has a good resistance to vibrations.

Connection: 3 terminals (1xPT100) or 6 terminals (2xPT100)
Maximum temperature: 200°C
Maximum pressure: 8 Bar

* Polyamide head has a maximum working temperature of 80°C