

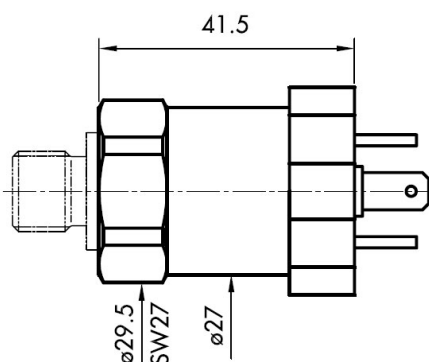


ECT

Pressure transmitter



Dimensions



Pressure ranges

Range (BAR)	Max. overpressure	Max burst pressure
-1,0 ... 1,0	4	5
0 ... 1,0	4	5
0 ... 1,6	4	5
0 ... 2,5	6	7,5
-1,0 ... 3	6	7,5
0 ... 4	10	12
0 ... 6	15	18
0 ... 10	25	30
0 ... 16	40	48
0 ... 25	60	75
0 ... 40	80	120
0 ... 60	120	180
0 ... 100	200	300
0 ... 160	320	480
0 ... 250	500	750

Technical data

MAIN CHARACTERISTICS

Sensor: Thick film on ceramic
 Measuring range: -1...1 to 0...250 bar relative
 Signal output: 4...20mA, 0...10VDC, 0...5VDC, 1...6VDC
 NLH (BSL through 0): ± 0.3 % FS typ.
 Applications: Machine tools, Hydraulics, HVAC, Refrigeration, Process technology, Water treatment, Automotive, Autoclaves

ELECTRICAL DATA

Output/Supply voltage: 4...20 mA: 24 (9...32) VDC
 0...5 VDC: 24 (9...32) VDC
 1...6 VDC: 24 (9...32) VDC
 0...10 VDC : 24 (15 ...32) VDC
 Rise time: typ. 1 ms/10...90% nominal pressure
 Switch-on delay: 1 sec

ENVIRONMENTAL CONDITIONS

Operating temperature: -25...+85°C
 Media temperature: -25...+125°C
 Protection: min. IP65
 Humidity: max. 95% relative
 Vibration: 4g (10...1000 Hz)
 Shock: 50g/11 ms

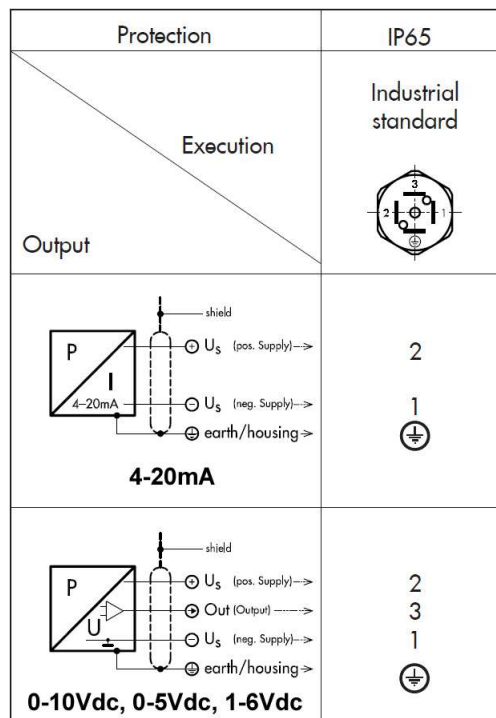
EMC PROTECTION

Emission: EN /IEC 61000-6-3
 Immunity: EN /IEC 61000-6-2

MECHANICAL DATA

Material Sensor: Ceramic (Al₂O₃) 96%
 Housing: 1.4435 (AISI316L)
 Process connection: 1/4" BSP male
 O-Ring: FKM, CR, EPDM
 Mounting torque: 15...20 Nm
 Weight: appr. 110 g

Electrical wiring



GESINT S.R.L.
 Via Perosi, 5
 20010 Bareggio (MI) - ITALY
 Tel. +39-02-9014633
 Mobile +39-335-6282615
 Fax +39-02-90362295
 E-mail: info@gesintsrl.it