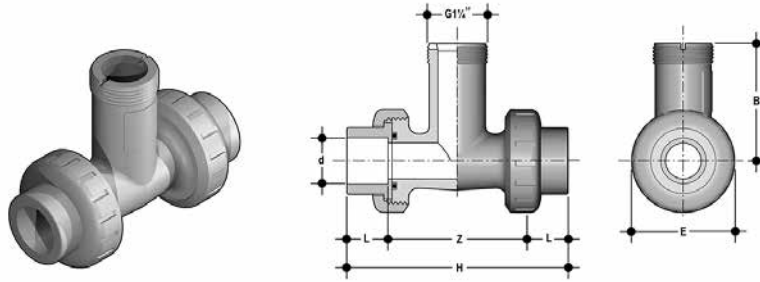




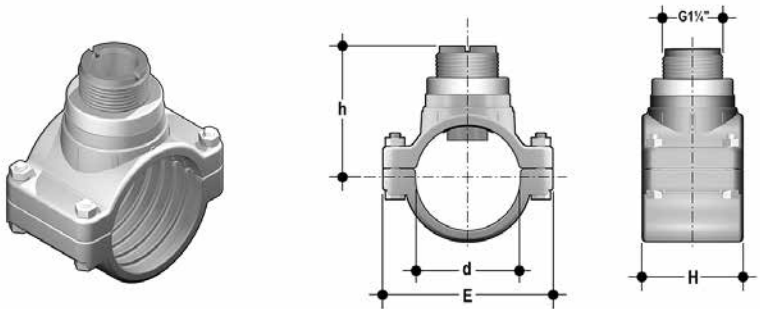
INSTALLATION FITTINGS  
**FOR FLOW SENSORS**

## INSTALLATION ON PVC PIPES



ISO Metric PVC Tee Fittings (female ends for solvent welding)

Part No.	DN/Size	d/R	O-ring	Body	H	Z	L	B	E	Flow Sensor Length	Suitable for (*)
TFIV20B	15	20	EPDM	UPVC	113	81	16	73	53	L0	F & A
TFIV25B	20	25	EPDM	UPVC	126	88	19	8	62	L0	F & A
TFIV32B	25	32	EPDM	UPVC	139.5	95.5	22	81	71	L0	F & A
TFIV40B	32	40	EPDM	UPVC	170	118	26	84	84	L0	F & A
TFIV50B	40	50	EPDM	UPVC	199	137	31	82.5	98	L0	F & A
TFIV20D	15	20	FPM	UPVC	113	81	16	73	53	L0	F & A
TFIV25D	20	25	FPM	UPVC	126	88	19	8	62	L0	F & A
TFIV32D	25	32	FPM	UPVC	139.5	95.5	22	81	71	L0	F & A
TFIV40D	32	40	FPM	UPVC	170	118	26	84	84	L0	F & A
TFIV50D	40	50	FPM	UPVC	199	137	31	82.5	98	L0	F & A



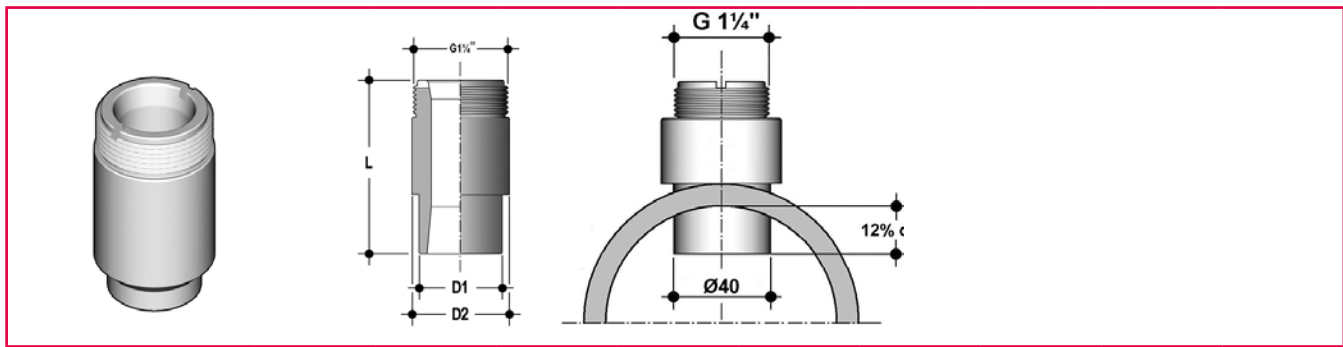
ISO Metric Clamp Saddles

Part No.	DN/Size	d/R	O-ring	Body	Insert	H	E	h	Drilling Hole	Flow Sensor Length	Suitable for (*)
SVIC063BVC	50	63	EPDM	UPVC	CPVC	105	116	86.7	35	L0	F & A
SVIC075BVC	65	75	EPDM	UPVC	CPVC	105	134	90.8	35	L0	F & A
SVIC090BVC	80	90	EPDM	UPVC	CPVC	105	152	95.9	40	L0	F & A
SVIC110BVC	100	110	EPDM	UPVC	CPVC	105	176	102.8	40	L0	F & A
SVIC125BVC	110	125	EPDM	UPVC	CPVC	112	190	137.9	40	L1	F
SVIC140BVC	125	140	EPDM	UPVC	CPVC	114	214	143.1	40	L1	F
SVIC160BVC	150	160	EPDM	UPVC	CPVC	120	238	149.9	40	L1	F
SVIC200BVC	180	200	EPDM	UPVC	CPVC	133	300	163.7	40	L1	F
SVIC225BVC	200	225	EPDM	UPVC	CPVC	125	333	172.3	40	L1	F
SVIC063DVC	50	63	FPM	UPVC	CPVC	105	116	86.7	35	L0	F & A
SVIC075DVC	65	75	FPM	UPVC	CPVC	105	134	90.8	35	L0	F & A
SVIC090DVC	80	90	FPM	UPVC	CPVC	105	152	95.9	40	L0	F & A
SVIC110DVC	100	110	FPM	UPVC	CPVC	105	176	102.8	40	L0	F & A
SVIC125DVC	110	125	FPM	UPVC	CPVC	112	190	137.9	40	L1	F
SVIC140DVC	125	140	FPM	UPVC	CPVC	114	214	143.1	40	L1	F
SVIC160DVC	150	160	FPM	UPVC	CPVC	120	238	149.9	40	L1	F
SVIC200DVC	180	200	FPM	UPVC	CPVC	133	300	163.7	40	L1	F
SVIC225DVC	200	225	FPM	UPVC	CPVC	125	333	172.3	40	L1	F
SMIC250IVC*	225	250	NBR	PP	CPVC	79	324	203.5	40	L0	F
SMIC280IVC*	250	280	NBR	PP	CPVC	88	385	212.2	40	L1	F
SMIC315IVC*	280	315	NBR	PP	CPVC	88	385	220.1	40	L1	F

\* For IP68 sensors or compact monitors only

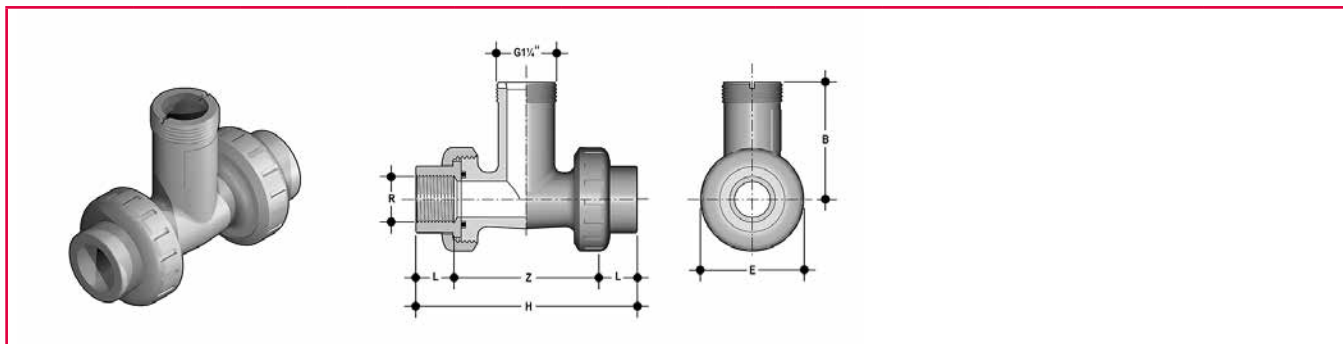
(\*) Suitable for: F= Flow sensors; A= Analytical electrodes

## INSTALLATION ON PVC PIPES



PVC Weld-on Fittings (max pressure depends on quality of the welding)

Part No.	DN/Size	d/R	Parallel Thread (GAS)	Body	L	D1	D2	Drilling Hole	Flow Sensor Length	Suitable for (*)
WAIV063	50	63	1 1/4"	UPVC	68.5	40	50	40	L0	F & A
WAIV075	65	75	1 1/4"	UPVC	68.5	40	50	40	L0	F & A
WAIV090	80	90	1 1/4"	UPVC	68.5	40	50	40	L0	F & A
WAIV110	100	110	1 1/4"	UPVC	68.5	40	50	40	L0	F & A
WAIV125	110	125	1 1/4"	UPVC	68.5	40	50	40	L0	F
WAIV140	125	140	1 1/4"	UPVC	68.5	40	50	40	L0	F
WAIV160	150	160	1 1/4"	UPVC	68.5	40	50	40	L0	F
WAIV200	180	200	1 1/4"	UPVC	68.5	40	50	40	L0	F
WAIV225	200	225	1 1/4"	UPVC	68.5	40	50	40	L0	F
WAIV250	225	250	1 1/4"	UPVC	98.5	40	50	40	L1	F
WAIV280	250	280	1 1/4"	UPVC	98.5	40	50	40	L1	F
WAIV315	280	315	1 1/4"	UPVC	98.5	40	50	40	L1	F

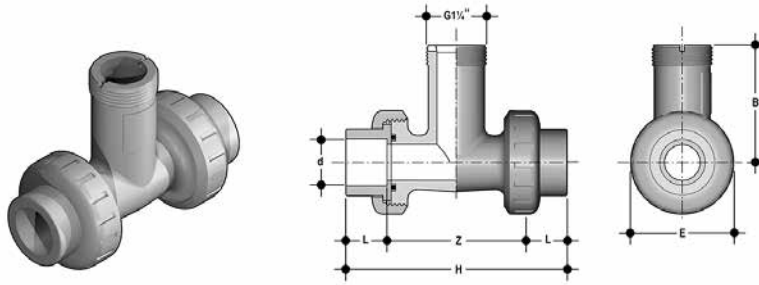


BSP Female Threaded PVC Tee Fittings (parallel threaded female ends)

Part No.	DN/Size	d/R	O-ring	Body	H	Z	L	B	E	Flow Sensor Length	Suitable for (*)
TFFV20B	15	1/2"	EPDM	UPVC	118.5	88.5	15	73	53	L0	F & A
TFFV25B	20	3/4"	EPDM	UPVC	127.5	94.9	16.3	80	62	L0	F & A
TFFV32B	25	1"	EPDM	UPVC	146	107.8	19.1	81	71	L0	F & A
TFFV40B	32	1 1/4"	EPDM	UPVC	177	134.2	21.4	84	84	L0	F & A
TFFV50B	40	1 1/2"	EPDM	UPVC	191	148.2	21.4	82.5	98	L0	F & A
TFFV20D	15	1/2"	FPM	UPVC	118.5	88.5	15	73	53	L0	F & A
TFFV25D	20	3/4"	FPM	UPVC	127.5	94.9	16.3	80	62	L0	F & A
TFFV32D	25	1"	FPM	UPVC	146	107.8	19.1	81	71	L0	F & A
TFFV40D	32	1 1/4"	FPM	UPVC	177	134.2	21.4	84	84	L0	F & A
TFFV50D	40	1 1/2"	FPM	UPVC	191	148.2	21.4	82.5	98	L0	F & A

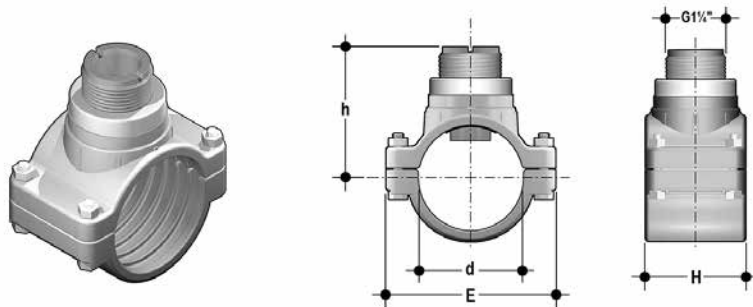
(\*) Suitable for: F= Flow sensors; A= Analytical electrodes

## INSTALLATION ON PVC PIPES



**BS Solvent Welding PVC Tee Fittings (female ends for solvent welding)**

Part No.	DN/ Size	d/R	O-ring	Body	H	Z	L	B	E	Flow Sensor Length	Suitable for (*)
TFLV20B	15	1/2"	EPDM	UPVC	113	8	16.5	73	53	L0	F & A
TFLV25B	20	3/4"	EPDM	UPVC	126	88	19	80	62	L0	F & A
TFLV32B	25	1"	EPDM	UPVC	139.5	94.5	22.5	81	71	L0	F & A
TFLV40B	32	1 1/4"	EPDM	UPVC	17	118	26	84	84	L0	F & A
TFLV50B	40	1 1/2"	EPDM	UPVC	199	139	30	82.5	98	L0	F & A
TFLV20D	15	1/2"	FPM	UPVC	113	8	16.5	73	53	L0	F & A
TFLV25D	20	3/4"	FPM	UPVC	126	88	19	80	62	L0	F & A
TFLV32D	25	1"	FPM	UPVC	139.5	94.5	22.5	81	71	L0	F & A
TFLV40D	32	1 1/4"	FPM	UPVC	17	118	26	84	84	L0	F & A
TFLV50D	40	1 1/2"	FPM	UPVC	199	139	30	82.5	98	L0	F & A

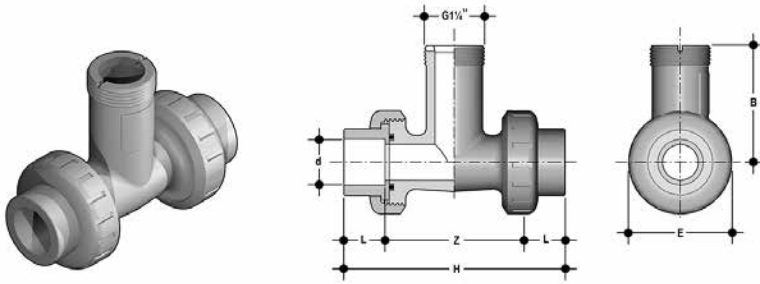


**BS Clamp Saddles**

Part No.	DN/ Size	d/R	O-ring	Body	Insert	H	E	h	Drilling Hole	Flow Sensor Length	Suitable for (*)
SVLC2.0BVM	50	2"	EPDM	UPVC	CPVC	105	116	85.3	35	L0	F & A
SVLC3.0BVM	80	3"	EPDM	UPVC	CPVC	105	152	95.0	40	L0	F & A
SVLC4.0BVM	100	4"	EPDM	UPVC	CPVC	105	176	103.5	40	L0	F & A
SVLC6.0BVM	150	6"	EPDM	UPVC	CPVC	120	238	151.7	40	L1	F
SVLC8.0BVM	200	8"	EPDM	UPVC	CPVC	125	333	169.8	40	L1	F
SVLC2.0DVM	50	2"	FPM	UPVC	CPVC	105	116	85.3	35	L0	F & A
SVLC3.0DVM	80	3"	FPM	UPVC	CPVC	105	152	95.0	40	L0	F & A
SVLC4.0DVM	100	4"	FPM	UPVC	CPVC	105	176	103.5	40	L0	F & A
SVLC6.0DVM	150	6"	FPM	UPVC	CPVC	120	238	151.7	40	L1	F
SVLC8.0DVM	200	8"	FPM	UPVC	CPVC	125	333	169.8	40	L1	F

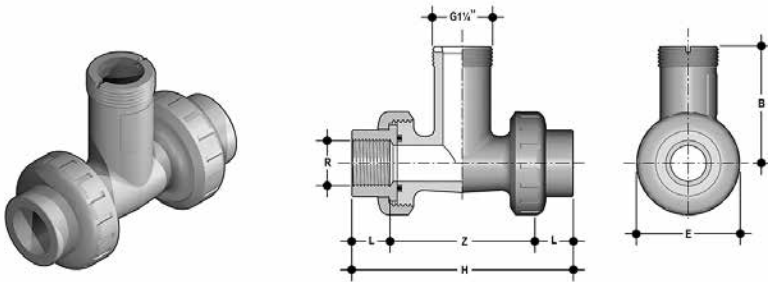
(\*) Suitable for: F= Flow sensors; A= Analytical electrodes

## INSTALLATION ON PVC PIPES



**ASTM SCH. 80 PVC Tee Fittings (female ends for solvent welding)**

Part No.	DN/Size	d/R	O-ring	Body	H	Z	L	B	E	Flow Sensor Length	Suitable for (*)
TFAV20B	15	1/2"	EPDM	UPVC	4.92"	3.15"	0.89"	2.87"	2.09"	L0	F & A
TFAV25B	20	3/4"	EPDM	UPVC	5.51"	3.50"	1.00"	3.15"	2.44"	L0	F & A
TFAV32B	25	1"	EPDM	UPVC	6.04"	3.78"	1.13"	3.19"	2.80"	L0	F & A
TFAV40B	32	1 1/4"	EPDM	UPVC	7.34"	4.80"	1.26"	3.31"	3.31"	L0	F & A
TFAV50B	40	1 1/2"	EPDM	UPVC	8.15"	5.39"	1.38"	3.25"	3.86"	L0	F & A
TFAV20D	15	1/2"	FPM	UPVC	4.92"	3.15"	0.89"	2.87"	2.09"	L0	F & A
TFAV25D	20	3/4"	FPM	UPVC	5.51"	3.50"	1.00"	3.15"	2.44"	L0	F & A
TFAV32D	25	1"	FPM	UPVC	6.04"	3.78"	1.13"	3.19"	2.80"	L0	F & A
TFAV40D	32	1 1/4"	FPM	UPVC	7.34"	4.80"	1.26"	3.31"	3.31"	L0	F & A
TFAV50D	40	1 1/2"	FPM	UPVC	8.15"	5.39"	1.38"	3.25"	3.86"	L0	F & A

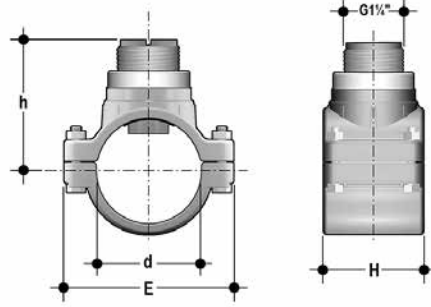


**NPT Female Threaded PVC Tee Fittings (NPT threaded female ends)**

Part No.	DN/Size	d/R	O-ring	Body	H	Z	L	B	E	Flow Sensor Length	Suitable for (*)
TFNV20B	15	1/2"	EPDM	UPVC	4.67"	3.26"	0.70"	2.87"	2.09"	L0	F & A
TFNV25B	20	3/4"	EPDM	UPVC	5.02"	3.60"	0.71"	3.15"	2.44"	L0	F & A
TFNV32B	25	1"	EPDM	UPVC	5.75"	3.97"	0.89"	3.19"	2.80"	L0	F & A
TFNV40B	32	1 1/4"	EPDM	UPVC	6.97"	5.12"	0.93"	3.31"	3.31"	L0	F & A
TFNV50B	40	1 1/2"	EPDM	UPVC	7.52"	5.28"	1.12"	3.25"	3.86"	L0	F & A
TFNV20D	15	1/2"	FPM	UPVC	4.67"	3.26"	0.70"	2.87"	2.09"	L0	F & A
TFNV25D	20	3/4"	FPM	UPVC	5.02"	3.60"	0.71"	3.15"	2.44"	L0	F & A
TFNV32D	25	1"	FPM	UPVC	5.75"	3.97"	0.89"	3.19"	2.80"	L0	F & A
TFNV40D	32	1 1/4"	FPM	UPVC	6.97"	5.12"	0.93"	3.31"	3.31"	L0	F & A
TFNV50D	40	1 1/2"	FPM	UPVC	7.52"	5.28"	1.12"	3.25"	3.86"	L0	F & A

(\*) Suitable for: F= Flow sensors; A= Analytical electrodes

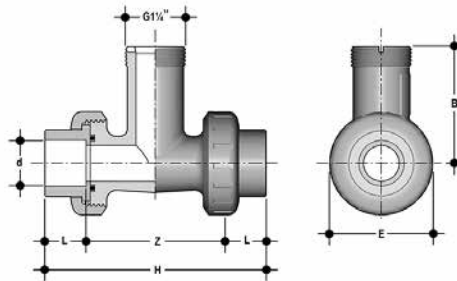
## INSTALLATION ON PVC PIPES



ASTM Clamp Saddles

Part No.	DN/ Size	d/R	O-ring	Body	Insert	H	E	h	Drilling Hole	Flow Sensor Length	Suitable for (*)
SVAC2.0BVM	50	2"	EPDM	UPVC	CPVC	4.13"	4.57"	3.3"	1.38"	L0	F & A
SVAC2.5BVM	65	2 1/2"	EPDM	UPVC	CPVC	4.13"	5.28"	3.4"	1.38"	L0	F & A
SVAC3.0BVM	80	3"	EPDM	UPVC	CPVC	4.13"	5.98"	3.6"	1.57"	L0	F & A
SVAC4.0BVM	100	4"	EPDM	UPVC	CPVC	4.13"	6.93"	4.0"	1.57"	L0	F & A
SVAC5.0BVM	125	5"	EPDM	UPVC	CPVC	4.49"	8.43"	5.6"	1.57"	L1	F
SVAC6.0BVM	150	6"	EPDM	UPVC	CPVC	4.72"	9.37"	5.9"	1.57"	L1	F
SVAC8.0BVM	200	8"	EPDM	UPVC	CPVC	4.92"	13.11"	6.6"	1.57"	L1	F
SVAC2.0DVM	50	2"	FPM	UPVC	CPVC	4.13"	4.57"	3.3"	1.38"	L0	F & A
SVAC2.5DVM	65	2 1/2"	FPM	UPVC	CPVC	4.13"	5.28"	3.4"	1.38"	L0	F & A
SVAC3.0DVM	80	3"	FPM	UPVC	CPVC	4.13"	5.98"	3.6"	1.57"	L0	F & A
SVAC4.0DVM	100	4"	FPM	UPVC	CPVC	4.13"	6.93"	4.0"	1.57"	L0	F & A
SVAC5.0DVM	125	5"	FPM	UPVC	CPVC	4.49"	8.43"	5.6"	1.57"	L1	F
SVAC6.0DVM	150	6"	FPM	UPVC	CPVC	4.72"	9.37"	5.9"	1.57"	L1	F
SVAC8.0DVM	200	8"	FPM	UPVC	CPVC	4.92"	13.11"	6.6"	1.57"	L1	F

## INSTALLATION ON PVCC PIPES

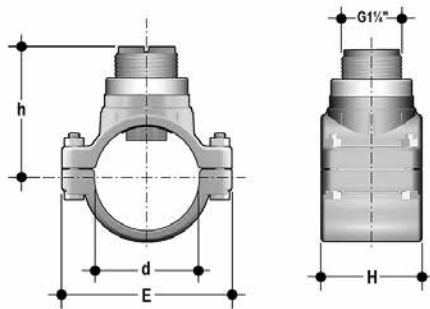


ISO Metric CPVC Tee Fittings (female ends for solvent welding)

Part No.	DN/ Size	d/R	O-ring	Body	H	Z	L	B	E	Flow Sensor Length	Suitable for (*)
TFIC20B	15	20	EPDM	CPVC	113	81	16	73	53	L0	F & A
TFIC25B	20	25	EPDM	CPVC	126	88	19	80	62	L0	F & A
TFIC32B	25	32	EPDM	CPVC	139.5	95.5	22	81	71	L0	F & A
TFIC40B	32	40	EPDM	CPVC	170	118	26	84	84	L0	F & A
TFIC50B	40	50	EPDM	CPVC	199	137	31	82.5	98	L0	F & A
TFIC20D	15	20	FPM	CPVC	113	81	16	73	53	L0	F & A
TFIC25D	20	25	FPM	CPVC	126	88	19	80	62	L0	F & A
TFIC32D	25	32	FPM	CPVC	139.5	95.5	22	81	71	L0	F & A
TFIC40D	32	40	FPM	CPVC	170	118	26	84	84	L0	F & A
TFIC50D	40	50	FPM	CPVC	199	137	31	82.5	98	L0	F & A

(\*) Suitable for: F= Flow sensors; A= Analytical electrodes

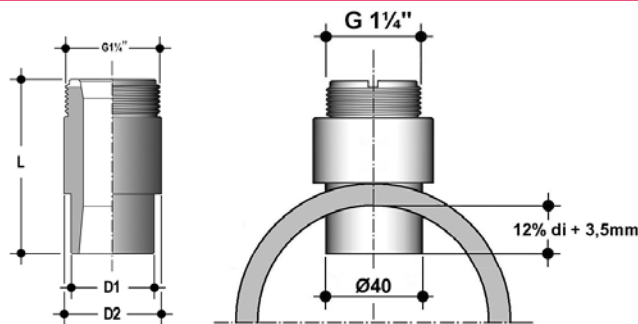
# INSTALLATION ON PVCC PIPES



ISO Metric Clamp Saddles

Part No.	DN/Size	d/R	O-ring	Body	Insert	H	E	h	Drilling Hole	Flow Sensor Length	Suitable for (*)
SVIC063BVC	50	63	EPDM	UPVC	CPVC	105	116	86.7	35	L0	F & A
SVIC075BVC	65	75	EPDM	UPVC	CPVC	105	134	90.8	35	L0	F & A
SVIC090BVC	80	90	EPDM	UPVC	CPVC	105	152	95.9	40	L0	F & A
SVIC110BVC	100	110	EPDM	UPVC	CPVC	105	176	102.8	40	L0	F & A
SVIC125BVC	110	125	EPDM	UPVC	CPVC	112	190	137.9	40	L1	F
SVIC140BVC	125	140	EPDM	UPVC	CPVC	114	214	143.1	40	L1	F
SVIC160BVC	150	160	EPDM	UPVC	CPVC	120	238	149.9	40	L1	F
SVIC200BVC	180	200	EPDM	UPVC	CPVC	133	300	163.7	40	L1	F
SVIC225BVC	200	225	EPDM	UPVC	CPVC	125	333	172.3	40	L1	F
SVIC063DVC	50	63	FPM	UPVC	CPVC	105	116	86.7	35	L0	F & A
SVIC075DVC	65	75	FPM	UPVC	CPVC	105	134	90.8	35	L0	F & A
SVIC090DVC	80	90	FPM	UPVC	CPVC	105	152	95.9	40	L0	F & A
SVIC110DVC	100	110	FPM	UPVC	CPVC	105	176	102.8	40	L0	F & A
SVIC125DVC	110	125	FPM	UPVC	CPVC	112	190	137.9	40	L1	F
SVIC140DVC	125	140	FPM	UPVC	CPVC	114	214	143.1	40	L1	F
SVIC160DVC	150	160	FPM	UPVC	CPVC	120	238	149.9	40	L1	F
SVIC200DVC	180	200	FPM	UPVC	CPVC	133	300	163.7	40	L1	F
SVIC225DVC	200	225	FPM	UPVC	CPVC	125	333	172.3	40	L1	F
SMIC250IVC*	225	250	NBR	PP	CPVC	79	324	203.5	40	L0	F
SMIC280IVC*	250	280	NBR	PP	CPVC	88	385	212.2	40	L1	F
SMIC315IVC*	280	315	NBR	PP	CPVC	88	385	220.1	40	L1	F

\* For IP68 sensors or compact monitors only

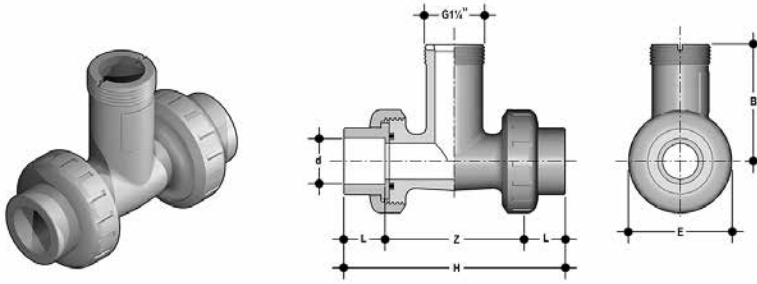


CPVC Weld-on Fittings (max pressure depends on quality of the welding)

Part No.	DN/Size	d/R	Parallel Thread (GAS)	Body	L	D1	D2	Drilling Hole	Flow Sensor Length	Suitable for (*)
WAIC063	50	63	1 1/4"	CPVC	68.5	40	5	40	L0	F & A
WAIC075	65	75	1 1/4"	CPVC	68.5	40	5	40	L0	F & A
WAIC090	80	90	1 1/4"	CPVC	68.5	40	5	40	L0	F & A
WAIC110	100	110	1 1/4"	CPVC	68.5	40	5	40	L0	F & A
WAIC125	110	125	1 1/4"	CPVC	68.5	40	5	40	L0	F
WAIC140	125	140	1 1/4"	CPVC	68.5	40	5	40	L0	F
WAIC160	150	160	1 1/4"	CPVC	68.5	40	5	40	L0	F
WAIC200	180	200	1 1/4"	CPVC	68.5	40	5	40	L0	F
WAIC225	200	225	1 1/4"	CPVC	68.5	40	5	40	L0	F
WAIC250	225	250	1 1/4"	CPVC	98.5	40	5	40	L1	F
WAIC280	250	280	1 1/4"	CPVC	98.5	40	5	40	L1	F
WAIC315	300	315	1 1/4"	CPVC	98.5	40	5	40	L1	F

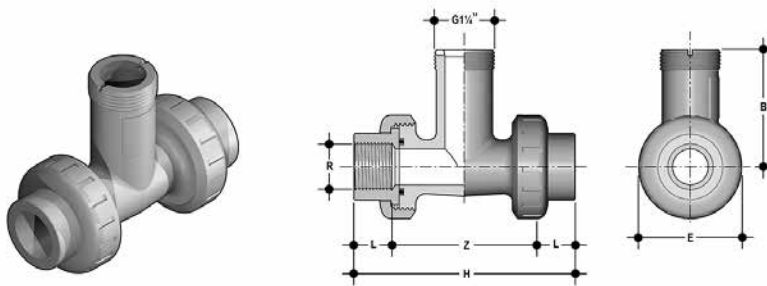
(\*) Suitable for: F= Flow sensors; A= Analytical electrodes

## INSTALLATION ON PP PIPES



**ISO Metric PP Tee Fittings (female ends for socket welding)**

Part No.	DN/ Size	d/R	O-ring	Body	H	Z	L	B	E	Flow Sensor Length	Suitable for (*)
TFIM20B	15	20	EPDM	PP	111	73	14.5	73	53	L0	F & A
TFIM25B	20	25	EPDM	PP	120.5	80	16	80	62	L0	F & A
TFIM32B	25	32	EPDM	PP	133.5	81	18	81	71	L0	F & A
TFIM40B	32	40	EPDM	PP	163.5	84	20.5	84	84	L0	F & A
TFIM50B	40	50	EPDM	PP	195	82.5	23.5	82.5	98	L0	F & A
TFIM20D	15	20	FPM	PP	111	73	14.5	73	53	L0	F & A
TFIM25D	20	25	FPM	PP	120.5	80	16	80	62	L0	F & A
TFIM32D	25	32	FPM	PP	133.5	81	18	81	71	L0	F & A
TFIM40D	32	40	FPM	PP	163.5	84	20.5	84	84	L0	F & A
TFIM50D	40	50	FPM	PP	195	82.5	23.5	82.5	98	L0	F & A



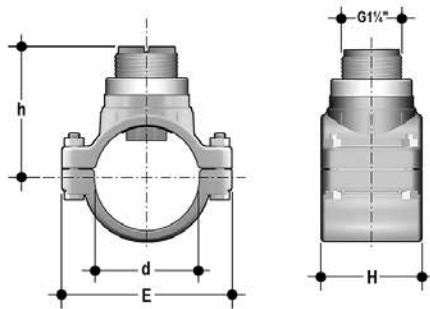
**BSP Female Threaded PP Tee Fittings (parallel threaded female ends)**

Part No.	DN/ Size	d/R	O-ring	Body	H	Z	L	B	E	Flow Sensor Length	Suitable for (*)
TFFM20B	15	1/2"	EPDM	PP	113	83	15	73	53	L0	F & A
TFFM25B	20	3/4"	EPDM	PP	126	93.4	16.3	80	62	L0	F & A
TFFM32B	25	1"	EPDM	PP	139.5	101.3	19.1	81	71	L0	F & A
TFFM40B	32	1 1/4"	EPDM	PP	17	127.2	21.4	84	84	L0	F & A
TFFM50B	40	1 1/2"	EPDM	PP	199	156.2	21.4	82.5	98	L0	F & A
TFFM20D	15	1/2"	FPM	PP	113	83	15	73	53	L0	F & A
TFFM25D	20	3/4"	FPM	PP	126	93.4	16.3	80	62	L0	F & A
TFFM32D	25	1"	FPM	PP	139.5	101.3	19.1	81	71	L0	F & A
TFFM40D	32	1 1/4"	FPM	PP	17	127.2	21.4	84	84	L0	F & A
TFFM50D	40	1 1/2"	FPM	PP	199	156.2	21.4	82.5	98	L0	F & A

(\*) Suitable for: F= Flow sensors; A= Analytical electrodes



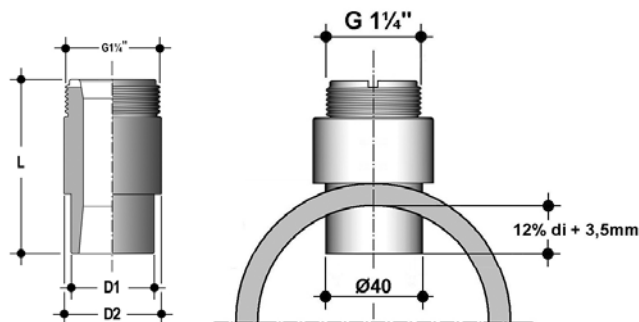
# INSTALLATION ON PP PIPES



ISO metric Clamp Saddles

Part No.	DN/Size	d/R	O-ring	Body	Insert	H	E	h	Drilling Hole	Flow Sensor Length	Suitable for (*)
SVIC063BME	50	63	EPDM	UPVC	CPVC **	105	116	84.3	35	L0	F & A
SVIC075BME	65	75	EPDM	UPVC	CPVC **	105	134	88.	35	L0	F & A
SVIC090BME	80	90	EPDM	UPVC	CPVC **	105	152	92.6	4	L0	F & A
SVIC110BME	100	110	EPDM	UPVC	CPVC **	105	176	98.8	40	L0	F & A
SVIC125BME	110	125	EPDM	UPVC	CPVC **	112	190	133.3	40	L1	F
SVIC140BME	125	140	EPDM	UPVC	CPVC **	114	214	138.0	40	L1	F
SVIC160BME	150	160	EPDM	UPVC	CPVC **	120	238	144.1	40	L1	F
SVIC200BME	180	200	EPDM	UPVC	CPVC **	133	300	156.4	40	L1	F
SVIC225BME	200	225	EPDM	UPVC	CPVC **	125	333	164.1	40	L1	F
SVIC063DME	50	63	FPM	UPVC	CPVC **	105	116	84.3	35	L0	F & A
SVIC075DME	65	75	FPM	UPVC	CPVC **	105	134	88.	35	L0	F & A
SVIC090DME	80	90	FPM	UPVC	CPVC **	105	152	92.6	4	L0	F & A
SVIC110DME	100	110	FPM	UPVC	CPVC **	105	176	98.8	40	L0	F & A
SVIC125DME	110	125	FPM	UPVC	CPVC **	112	190	133.3	40	L1	F
SVIC140DME	125	140	FPM	UPVC	CPVC **	114	214	138.0	40	L1	F
SVIC160DME	150	160	FPM	UPVC	CPVC **	120	238	144.1	40	L1	F
SVIC200DME	180	200	FPM	UPVC	CPVC **	133	300	156.4	40	L1	F
SVIC225DME	200	225	FPM	UPVC	CPVC **	125	333	164.1	40	L1	F
SMIC250IME*	225	250	NBR	PP	CPVC **	79	324	189.9	40	L0	F
SMIC280IME*	250	280	NBR	PP	CPVC **	88	385	200.2	40	L1	F
SMIC315IME*	300	315	NBR	PP	CPVC **	88	385	209.3	40	L1	F

\* For IP68 sensors or compact monitors only \*\* PVDF insert available on request

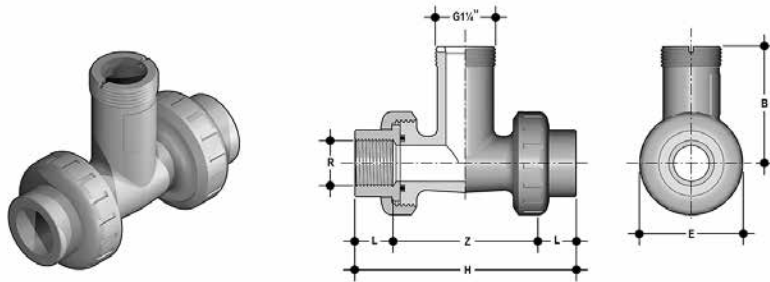


PP Weld-on Fittings ( max pressure depends on quality of the welding)

Part No.	DN/Size	d/R	Parallel Thread (GAS)	Body	L	D1	D2	Drilling Hole	Flow Sensor Length	Suitable for (*)
WAIM063	50	63	1 1/4"	PP	68.5	40	50	40	L0	F & A
WAIM075	65	75	1 1/4"	PP	68.5	40	50	40	L0	F & A
WAIM090	80	90	1 1/4"	PP	68.5	40	50	40	L0	F & A
WAIM110	100	110	1 1/4"	PP	68.5	40	50	40	L0	F & A
WAIM125	110	125	1 1/4"	PP	68.5	40	50	40	L0	F
WAIM140	125	140	1 1/4"	PP	68.5	40	50	40	L0	F
WAIM160	150	160	1 1/4"	PP	68.5	40	50	40	L0	F
WAIM200	180	200	1 1/4"	PP	98.5	40	50	40	L1	F
WAIM225	200	225	1 1/4"	PP	98.5	40	50	40	L1	F
WAIM250	225	250	1 1/4"	PP	98.5	40	50	40	L1	F
WAIM280	250	280	1 1/4"	PP	98.5	40	50	40	L1	F
WAIM315	300	315	1 1/4"	PP	98.5	40	50	40	L1	F

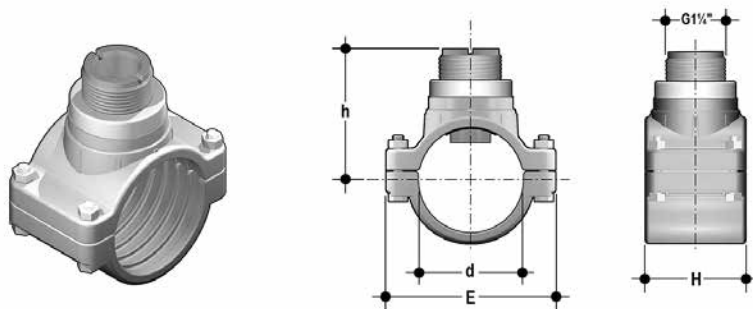
(\*) Suitable for: F= Flow sensors; A= Analytical electrodes

## INSTALLATION ON PP PIPES



**NPT Female Threaded PP Tee Fittings (NPT threaded female ends)**

Part No.	DN/ Size	d/R	O-ring	Body	H	Z	L	B	E	Flow Sensor Length	Suitable for (*)
TFNM20B	15	1/2"	EPDM	PP	4.45"	3.05"	0.70"	2.87"	2.09"	L0	F & A
TFNM25B	20	3/4"	EPDM	PP	4.96"	3.54"	0.71"	3.15"	2.44"	L0	F & A
TFNM32B	25	1"	EPDM	PP	5.49"	3.71"	0.89"	3.19"	2.80"	L0	F & A
TFNM40B	32	1 1/4"	EPDM	PP	6.69"	4.84"	0.93"	3.31"	3.31"	L0	F & A
TFNM50B	40	1 1/2"	EPDM	PP	7.83"	5.59"	1.12"	3.25"	3.86"	L0	F & A
TFNM20D	15	1/2"	FPM	PP	4.45"	3.05"	0.70"	2.87"	2.09"	L0	F & A
TFNM25D	20	3/4"	FPM	PP	4.96"	3.54"	0.71"	3.15"	2.44"	L0	F & A
TFNM32D	25	1"	FPM	PP	5.49"	3.71"	0.89"	3.19"	2.80"	L0	F & A
TFNM40D	32	1 1/4"	FPM	PP	6.69"	4.84"	0.93"	3.31"	3.31"	L0	F & A
TFNM50D	40	1 1/2"	FPM	PP	7.83"	5.59"	1.12"	3.25"	3.86"	L0	F & A



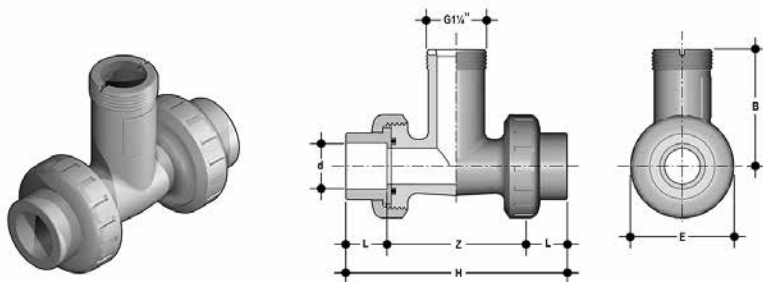
**ASTM Clamp Saddles**

Part No.	DN/ Size	d/R	O-ring	Body	Insert	H	E	h	Drilling Hole	Flow Sensor Length	Suitable for (*)
SVAC2.0BVM	50	2"	EPDM	UPVC	CPVC**	4.13"	4.57"	3.29"	1.38"	L0	F & A
SVAC2.5BVM	65	2 1/2"	EPDM	UPVC	CPVC**	4.13"	5.28"	3.43"	1.38"	L0	F & A
SVAC3.0BVM	80	3"	EPDM	UPVC	CPVC**	4.13"	5.98"	3.65"	1.57"	L0	F & A
SVAC4.0BVM	100	4"	EPDM	UPVC	CPVC**	4.13"	6.93"	4.00"	1.57"	L0	F & A
SVAC5.0BVM	125	5"	EPDM	UPVC	CPVC**	4.49"	8.43"	5.55"	1.57"	L1	F
SVAC6.0BVM	150	6"	EPDM	UPVC	CPVC**	4.72"	9.37"	5.91"	1.57"	L1	F
SVAC8.0BVM	200	8"	EPDM	UPVC	CPVC**	4.92"	13.11"	6.61"	1.57"	L1	F
SVAC2.0DVM	50	2"	FPM	UPVC	CPVC**	4.13"	4.57"	3.29"	1.38"	L0	F & A
SVAC2.5DVM	65	2 1/2"	FPM	UPVC	CPVC**	4.13"	5.28"	3.43"	1.38"	L0	F & A
SVAC3.0DVM	80	3"	FPM	UPVC	CPVC**	4.13"	5.98"	3.65"	1.57"	L0	F & A
SVAC4.0DVM	100	4"	FPM	UPVC	CPVC**	4.13"	6.93"	4.00"	1.57"	L0	F & A
SVAC5.0DVM	125	5"	FPM	UPVC	CPVC**	4.49"	8.43"	5.55"	1.57"	L1	F
SVAC6.0DVM	150	6"	FPM	UPVC	CPVC**	4.72"	9.37"	5.91"	1.57"	L1	F
SVAC8.0DVM	200	8"	FPM	UPVC	CPVC**	4.92"	13.11"	6.61"	1.57"	L1	F

\*\* PVDF insert available on request

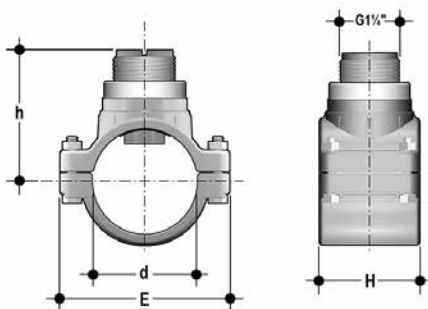
(\*) Suitable for: F= Flow sensors; A= Analytical electrodes

## INSTALLATION ON PVDF PIPES



ISO Metric PVDF Tee Fittings (female ends for socket welding)

Part No.	DN/Size	d/R	O-ring	Body	H	Z	L	B	E	Flow Sensor Length	Suitable for (*)
TFIF20B	15	20	EPDM	PVDF	111	82	14.5	73	53	L0	F & A
TFIF25B	20	25	EPDM	PVDF	120.5	88.5	16	80	62	L0	F & A
TFIF32B	25	32	EPDM	PVDF	133.5	97	18	81	71	L0	F & A
TFIF40B	32	40	EPDM	PVDF	161.5	120.5	20.5	84	84	L0	F & A
TFIF50B	40	50	EPDM	PVDF	193.5	146.5	23.5	82.5	98	L0	F & A
TFIF20D	15	20	FPM	PVDF	111	82	14.5	73	53	L0	F & A
TFIF25D	20	25	FPM	PVDF	120.5	88.5	16	80	62	L0	F & A
TFIF32D	25	32	FPM	PVDF	133.5	97	18	81	71	L0	F & A
TFIF40D	32	40	FPM	PVDF	161.5	120.5	20.5	84	84	L0	F & A
TFIF50D	40	50	FPM	PVDF	193.5	146.5	23.5	82.5	98	L0	F & A

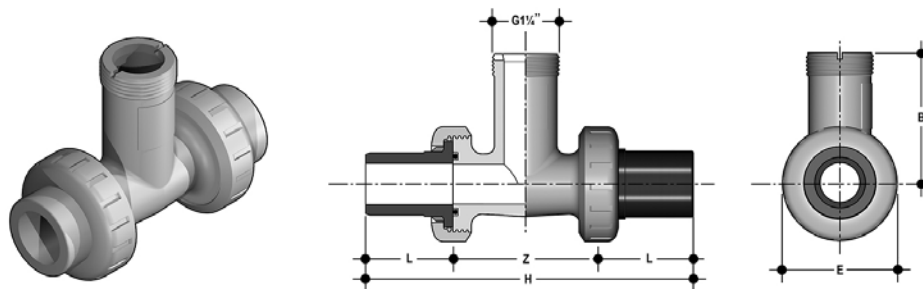


ISO Metric Clamp Saddles

Part No.	DN/Size	d/R	O-ring	Body	Insert	H	E	h	Drilling Hole	Flow Sensor Length	Suitable for (*)
SVIF063BF	50	63	EPDM	UPVC	PVDF	105	116	87.2	35	L0	F & A
SVIF075BF	65	75	EPDM	UPVC	PVDF	105	134	91.5	35	L0	F & A
SVIF090BF	80	90	EPDM	UPVC	PVDF	105	152	96.8	40	L0	F & A
SVIF110BF	100	110	EPDM	UPVC	PVDF	105	176	104.0	40	L0	F & A
SVIF125BF	110	125	EPDM	UPVC	PVDF	112	190	139.3	40	L1	F
SVIF140BF	125	140	EPDM	UPVC	PVDF	114	214	144.6	40	L1	F
SVIF160BF	150	160	EPDM	UPVC	PVDF	120	238	151.8	40	L1	F
SVIF200BF	180	200	EPDM	UPVC	PVDF	133	300	165.9	40	L1	F
SVIF225BF	200	225	EPDM	UPVC	PVDF	125	333	174.9	40	L1	F
SVIF063DF	50	63	FPM	UPVC	PVDF	105	116	87.2	35	L0	F & A
SVIF075DF	65	75	FPM	UPVC	PVDF	105	134	91.5	35	L0	F & A
SVIF090DF	80	90	FPM	UPVC	PVDF	105	152	96.8	40	L0	F & A
SVIF110DF	100	110	FPM	UPVC	PVDF	105	176	104.0	40	L0	F & A
SVIF125DF	110	125	FPM	UPVC	PVDF	112	190	139.3	40	L1	F
SVIF140DF	125	140	FPM	UPVC	PVDF	114	214	144.6	40	L1	F
SVIF160DF	150	160	FPM	UPVC	PVDF	120	238	151.8	40	L1	F
SVIF200DF	180	200	FPM	UPVC	PVDF	133	300	165.9	40	L1	F
SVIF225DF	200	225	FPM	UPVC	PVDF	125	333	174.9	40	L1	F

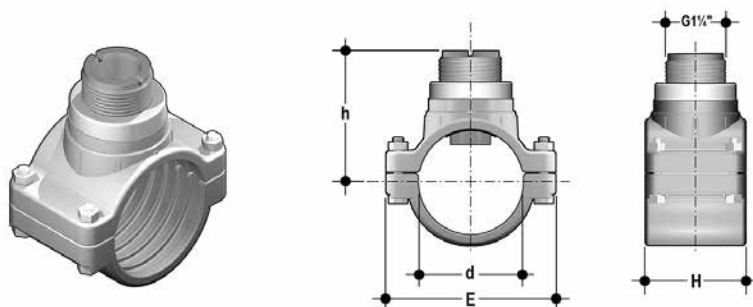
(\*) Suitable for: F= Flow sensors; A= Analytical electrodes

## INSTALLATION ON PE PIPES



ISO Metric PVC Tee Fittings (PE end connectors for electrotusion or butt welding)

Part No.	DN/Size	d/R	O-ring	Body	H	Z	L	B	E	Flow Sensor Length	Suitable for (*)
TFIV20BE	15	20	EPDM	UPVC	183	73	55	73	53	L0	F & A
TFIV25BE	20	25	EPDM	UPVC	223	83	70	80	62	L0	F & A
TFIV32BE	25	32	EPDM	UPVC	237	89	74	81	71	L0	F & A
TFIV40BE	32	40	EPDM	UPVC	266	110	78	84	84	L0	F & A
TFIV50BE	40	50	EPDM	UPVC	295	127	84	82.5	98	L0	F & A
TFIV20DE	15	20	FPM	UPVC	183	73	55	73	53	L0	F & A
TFIV25DE	20	25	FPM	UPVC	223	83	70	80	62	L0	F & A
TFIV32DE	25	32	FPM	UPVC	237	89	74	81	71	L0	F & A
TFIV40DE	32	40	FPM	UPVC	266	110	78	84	84	L0	F & A
TFIV50DE	40	50	FPM	UPVC	295	127	84	82.5	98	L0	F & A



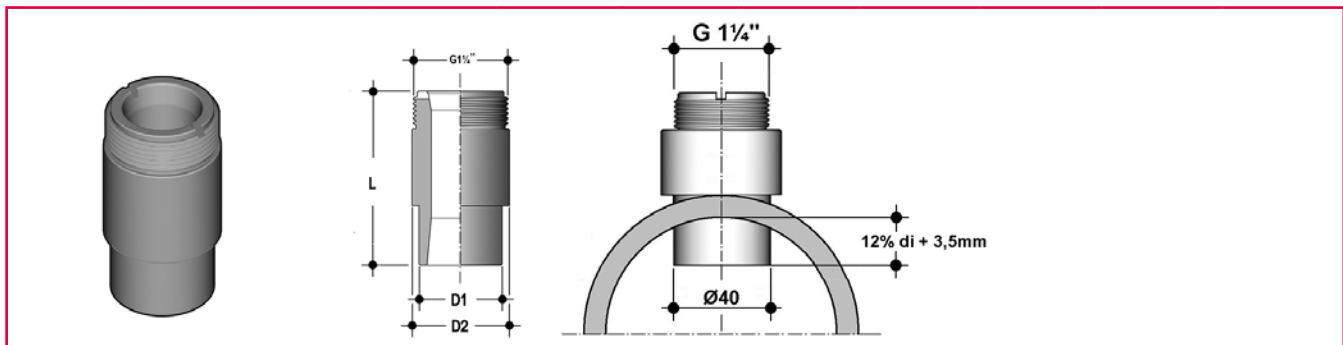
ISO Metric Clamp Saddles

Part No.	DN/Size	d/R	O-ring	Body	Insert	H	E	h	Drilling Hole	Flow Sensor Length	Suitable for (*)
SVIC063BME	50	63	EPDM	UPVC	CPVC	105	116	84.3	35	L0	F & A
SVIC075BME	65	75	EPDM	UPVC	CPVC	105	134	88.	35	L0	F & A
SVIC090BME	80	90	EPDM	UPVC	CPVC	105	152	92.6	4	L0	F & A
SVIC110BME	100	110	EPDM	UPVC	CPVC	105	176	98.8	40	L0	F & A
SVIC125BME	110	125	EPDM	UPVC	CPVC	112	190	133.3	40	L1	F
SVIC140BME	125	140	EPDM	UPVC	CPVC	114	214	138.0	40	L1	F
SVIC160BME	150	160	EPDM	UPVC	CPVC	120	238	144.1	40	L1	F
SVIC200BME	180	200	EPDM	UPVC	CPVC	133	300	156.4	40	L1	F
SVIC225BME	200	225	EPDM	UPVC	CPVC	125	333	164.1	40	L1	F
SVIC063DME	50	63	FPM	UPVC	CPVC	105	116	84.3	35	L0	F & A
SVIC075DME	65	75	FPM	UPVC	CPVC	105	134	88.	35	L0	F & A
SVIC090DME	80	90	FPM	UPVC	CPVC	105	152	92.6	4	L0	F & A
SVIC110DME	100	110	FPM	UPVC	CPVC	105	176	98.8	40	L0	F & A
SVIC125DME	110	125	FPM	UPVC	CPVC	112	190	133.3	40	L1	F
SVIC140DME	125	140	FPM	UPVC	CPVC	114	214	138.0	40	L1	F
SVIC160DME	150	160	FPM	UPVC	CPVC	120	238	144.1	40	L1	F
SVIC200DME	180	200	FPM	UPVC	CPVC	133	300	156.4	40	L1	F
SVIC225DME	200	225	FPM	UPVC	CPVC	125	333	164.1	40	L1	F
SMIC250IME*	225	250	NBR	PP	CPVC	79	324	189.9	40	L0	F
SMIC280IME*	250	280	NBR	PP	CPVC	88	385	200.2	40	L1	F
SMIC315IME*	300	315	NBR	PP	CPVC	88	385	209.3	40	L1	F

\* For IP68 sensors or compact monitors only

(\*) Suitable for: F= Flow sensors; A= Analytical electrodes

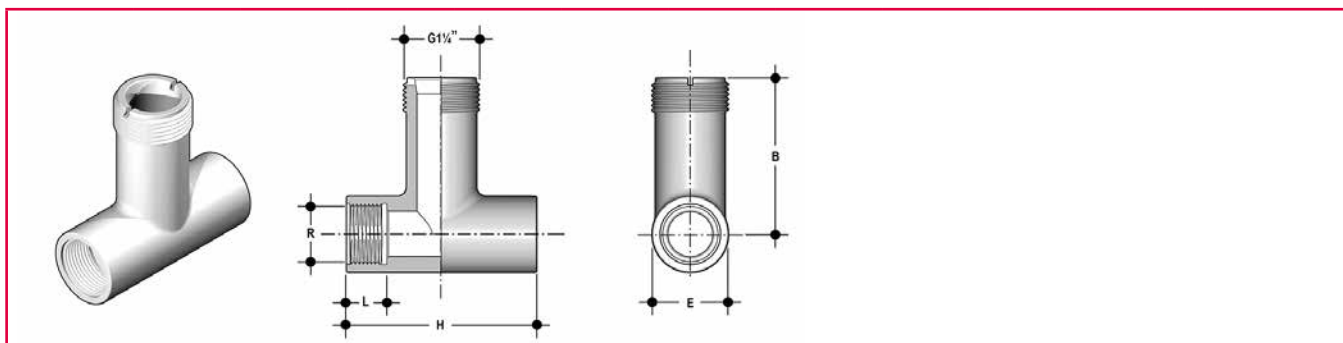
## INSTALLATION ON PE PIPES



PE Weld-on Fittings (max pressure depends on quality of the welding)

Part No.	DN/Size	d/R	Parallel Thread (GAS)	Body	L	D1	D2	Drilling Hole	Flow Sensor Length	Suitable for (*)
WAIE063	50	63	1 1/4"	PE	68.5	40	50	40	L0	F & A
WAIE075	65	75	1 1/4"	PE	68.5	40	50	40	L0	F & A
WAIE090	80	90	1 1/4"	PE	68.5	40	50	40	L0	F & A
WAIE110	100	110	1 1/4"	PE	68.5	40	50	40	L0	F & A
WAIE125	110	125	1 1/4"	PE	68.5	40	50	40	L0	F
WAIE140	125	140	1 1/4"	PE	68.5	40	50	40	L0	F
WAIE160	150	160	1 1/4"	PE	68.5	40	50	40	L0	F
WAIE200	180	200	1 1/4"	PE	98.5	40	50	40	L1	F
WAIE225	200	225	1 1/4"	PE	98.5	40	50	40	L1	F
WAIE250	225	250	1 1/4"	PE	98.5	40	50	40	L1	F
WAIE280	250	280	1 1/4"	PE	98.5	40	50	40	L1	F
WAIE315	300	315	1 1/4"	PE	98.5	40	50	40	L1	F

## INSTALLATION ON METAL PIPES

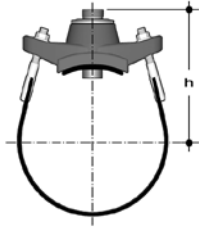


BSP Female Threaded 316 SS Tee Fittings

Part No.	DN/Size	d/R	O-ring	Body	H	Z	L	B	E	Flow Sensor Length	Suitable for (*)
TFFX20	15	1/2"	-	316 SS	85	-	16	73	42	L0	F & A
TFFX25	20	3/4"	-	316 SS	95	-	20	81.2	42	L0	F & A
TFFX32	25	1"	-	316 SS	105	-	22.5	81.2	42	L0	F & A
TFFX40	32	1 1/4"	-	316 SS	120	-	20.5	83.8	54	L0	F & A

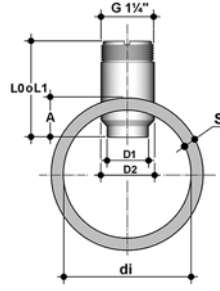
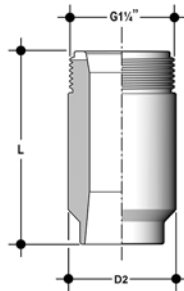
(\*) Suitable for: F= Flow sensors; A= Analytical electrodes

# INSTALLATION ON METAL PIPES



## Strap-on Saddles

Part No.	DN/Size	O.D. min.	O.D. max	Parallel Thread (GAS)	O-ring	Body	Insert	h	Drilling Hole	Flow Sensor Length	Suitable for (*)
SZIC080I	80	88	104	1 1/4"	NBR	Cast iron + SS	CPVC	153	40	L0	F
SZIC100I	100	112	126	1 1/4"	NBR	Cast iron + SS	CPVC	160	40	L0	F
SZIC125I	125	140	154	1 1/4"	NBR	Cast iron + SS	CPVC	170	40	L0	F
SZIC150I	150	168	184	1 1/4"	NBR	Cast iron + SS	CPVC	180	40	L0	F
SZIC200I	200	218	244	1 1/4"	NBR	Cast iron + SS	CPVC	228	40	L1	F
SZIC250I	250	272	295	1 1/4"	NBR	Cast iron + SS	CPVC	247	40	L1	F
SZIC300I	300	322	354	1 1/4"	NBR	Cast iron + SS	CPVC	266	40	L1	F
SZIC350I	350	356	414	1 1/4"	NBR	Cast iron + SS	CPVC	305	40	L1	F
SZIC400I	400	406	472	1 1/4"	NBR	Cast iron + SS	CPVC	324	40	L1	F
SZIC450I	450	457	534	1 1/4"	NBR	Cast iron + SS	CPVC	343	40	L1	F



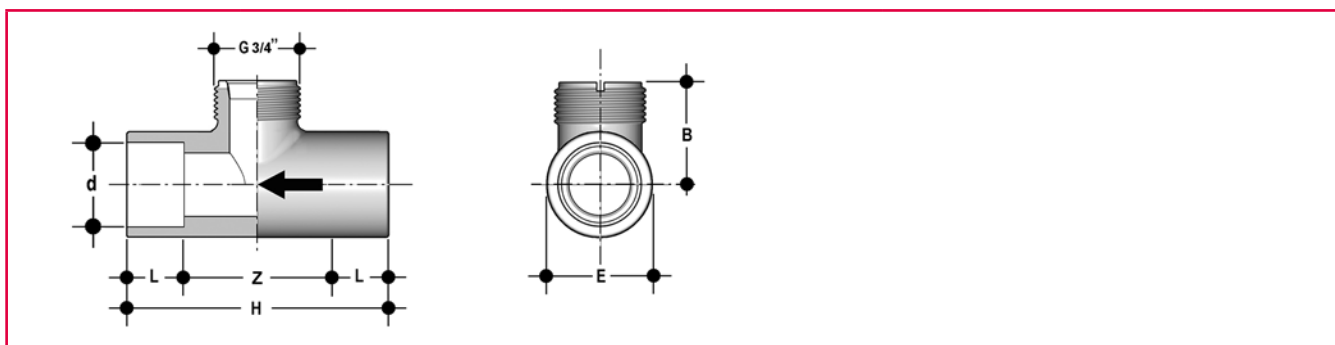
$$A = 0.12 \times di + 3.5 + S$$

## 316L SS Weld on Adapters

Part No.	DN/Size	d/R	Parallel Thread (GAS)	Body	L	D1	D2	Drilling Hole	Flow Sensor Length	Suitable for (*)
WAIXL0	40	-	1 1/4"	316L SS	68.5	33,9	34	34	L0	F & A
WAIXL0	50	-	1 1/4"	316L SS	68.5	33,9	44	44	L0	F & A
WAIXL0	60	-	1 1/4"	316L SS	68.5	33,9	44	44	L0	F & A
WAIXL0	65	-	1 1/4"	316L SS	68.5	33,9	44	44	L0	F & A
WAIXL0	80	-	1 1/4"	316L SS	68.5	33,9	44	44	L0	F & A
WAIXL0	100	-	1 1/4"	316L SS	68.5	33,9	44	44	L0	F & A
WAIXL0	110	-	1 1/4"	316L SS	68.5	33,9	44	44	L0	F & A
WAIXL0	125	-	1 1/4"	316L SS	68.5	33,9	44	44	L0	F
WAIXL0	150	-	1 1/4"	316L SS	68.5	33,9	44	44	L0	F
WAIXL0	175	-	1 1/4"	316L SS	68.5	33,9	44	44	L0	F
WAIXL0	200	-	1 1/4"	316L SS	68.5	33,9	44	44	L0	F
WAIXL0	225	-	1 1/4"	316L SS	68.5	33,9	44	44	L1	F
WAIXL1	250	-	1 1/4"	316L SS	98.5	33,9	44	44	L1	F
WAIXL1	300	-	1 1/4"	316L SS	98.5	33,9	44	44	L1	F
WAIXL1	350	-	1 1/4"	316L SS	98.5	33,9	44	44	L1	F
WAIXL1	400	-	1 1/4"	316L SS	98.5	33,9	44	44	L1	F
WAIXL1	450	-	1 1/4"	316L SS	98.5	33,9	44	44	L1	F
WAIXL1	500	-	1 1/4"	316L SS	98.5	33,9	44	44	L1	F
WAIXL1	600	-	1 1/4"	316L SS	98.5	33,9	44	44	L1	F

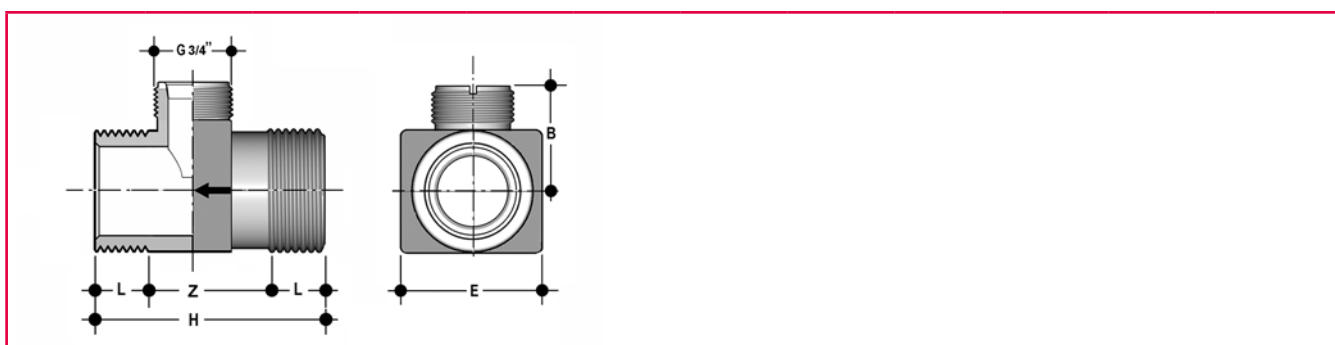
(\*) Suitable for: F= Flow sensors; A= Analytical electrodes

## INSTALLATION FITTINGS FOR FLS F3.10



**ISO Metric PVC Tee Fittings (female ends for solvent welding)**

Part No.	DN/Size	d/R	O-ring	Body	H	Z	L	B	E	Flow Sensor Length	Suitable for (*)
TMIV20MF	15	20	-	UPVC	43	11	16	27	27	-	F
TMIV25MF	20	25	-	UPVC	52	14	19	30	33	-	F
TMIV32MF	25	32	-	UPVC	61,5	17,5	22	33,5	41	-	F
TMIV40MF	32	40	-	UPVC	74	22	26	38	50	-	F
TMIV50MF	40	50	-	UPVC	89	27	31	43	61	-	F

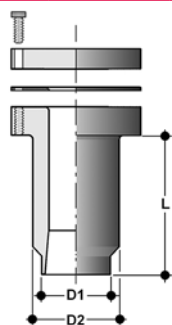


**ISO Metric BRASS Tee Fitting (1 1/4" male threaded ends)**

Part No.	DN/Size	d/R	O-ring	Body	H	Z	L	B	E	Flow Sensor Length	Suitable for (*)
TMFODN23	23	1 1/4"	-	BRASS	74,2	46,2	14	28	50	-	F

(\*) Suitable for: F= Flow sensors; A= Analytical electrodes

## INSTALLATION FITTINGS FOR FLS F3.20



### 316L SS Weld-on Adapters

Part No.	DN/Size	d/R	Parallel Thread (GAS)	Body	L	D1	D2	Drilling Hole	Flow Sensor Length	Suitable for (*)
WAIXHP	40	-	1 1/4"	316L SS	68,5	34	42,8	34	L0	F
WAIXHP	50	-	1 1/4"	316L SS	68,5	34	42,8	43	L0	F
WAIXHP	60	-	1 1/4"	316L SS	68,5	34	42,8	43	L0	F
WAIXHP	65	-	1 1/4"	316L SS	68,5	34	42,8	43	L0	F
WAIXHP	80	-	1 1/4"	316L SS	68,5	34	42,8	43	L0	F
WAIXHP	100	-	1 1/4"	316L SS	68,5	34	42,8	43	L0	F
WAIXHP	110	-	1 1/4"	316L SS	68,5	34	42,8	43	L0	F
WAIXHP	125	-	1 1/4"	316L SS	68,5	34	42,8	43	L0	F
WAIXHP	150	-	1 1/4"	316L SS	68,5	34	42,8	43	L0	F
WAIXHP	175	-	1 1/4"	316L SS	68,5	34	42,8	43	L0	F
WAIXHP	200	-	1 1/4"	316L SS	68,5	34	42,8	43	L0	F

(\*) Suitable for: F= Flow sensors; A= Analytical electrodes