

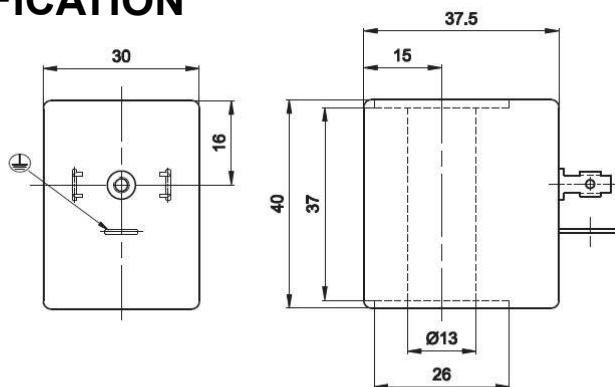


This coil is usually installed on dyeing machine pipe, in order to detect the passage of a magnet put inside the fabric. It is connected to a seam detector that works as signal amplifier. The GS coil has an additional iron bolt and nuts to enhance magnet detection.

HOW IT WORKS

When the magnet passes near the coil, the variable magnetic field generates a small current in the coil that is amplified by the seam detector. If this current is higher than a selected threshold, the seam detector considers it a valid magnet passage and activates the relay output.

COIL SPECIFICATION



Life of ED (a)	Input W		Tension tolerance	Rated voltage	Weight	Part no.
	%	continuous				
100	10 VA (max)	16 VA (max)	±10	110 V AC/50-60 HZ	0,10 Kg	DB-0509