

Type:
C5.02



FLS CHEMX3 C5.02 Conductivity Monitors and Controllers are designed to satisfy a broad range of application requirements. A complete choice of input/output options, together with manual or automatic temperature compensation, guarantee customized setups for any process to be controlled.

The C5.02 can be easily configured via a user friendly software and can show also temperature value on the display (for TC sensor version).


Main Features

- Temperature value on the display.
- Range from 0,1 µS to 0,2 S.
- Auto range.
- Backlit alphanumeric LCD.
- Two programmable relays for external device control.
- Programmable alarms.
- Easy-to-use software.
- Removable terminals.

Applications

- RO and DI Water Systems.
- Water quality monitoring.
- Desalination process
- Mineral water.
- Leak detections.
- Cooling tower.
- Scrubber control.
- Surface finishing.
- Textile industry.
- Pulp and Paper industry.

Technical Features

Conductivity Monitor and Controller	Part No.	Power Supply	Associated Electrode	4-20 mA Output	Relay Output	Mounting
	C5.02.P1	24 VAC/DC	Conductivity, Temperature	1	2- low, high, prop. pulse, timed pulse, off	Panel Mounting
	C5.02.W1	24 VAC/DC	Conductivity, Temperature	1	2- low, high, prop. pulse, timed pulse, off	Wall Mounting
	C5.02.W2	110-230 VAC	Conductivity, Temperature	1	2- low, high, prop. pulse, timed pulse, off	Wall Mounting

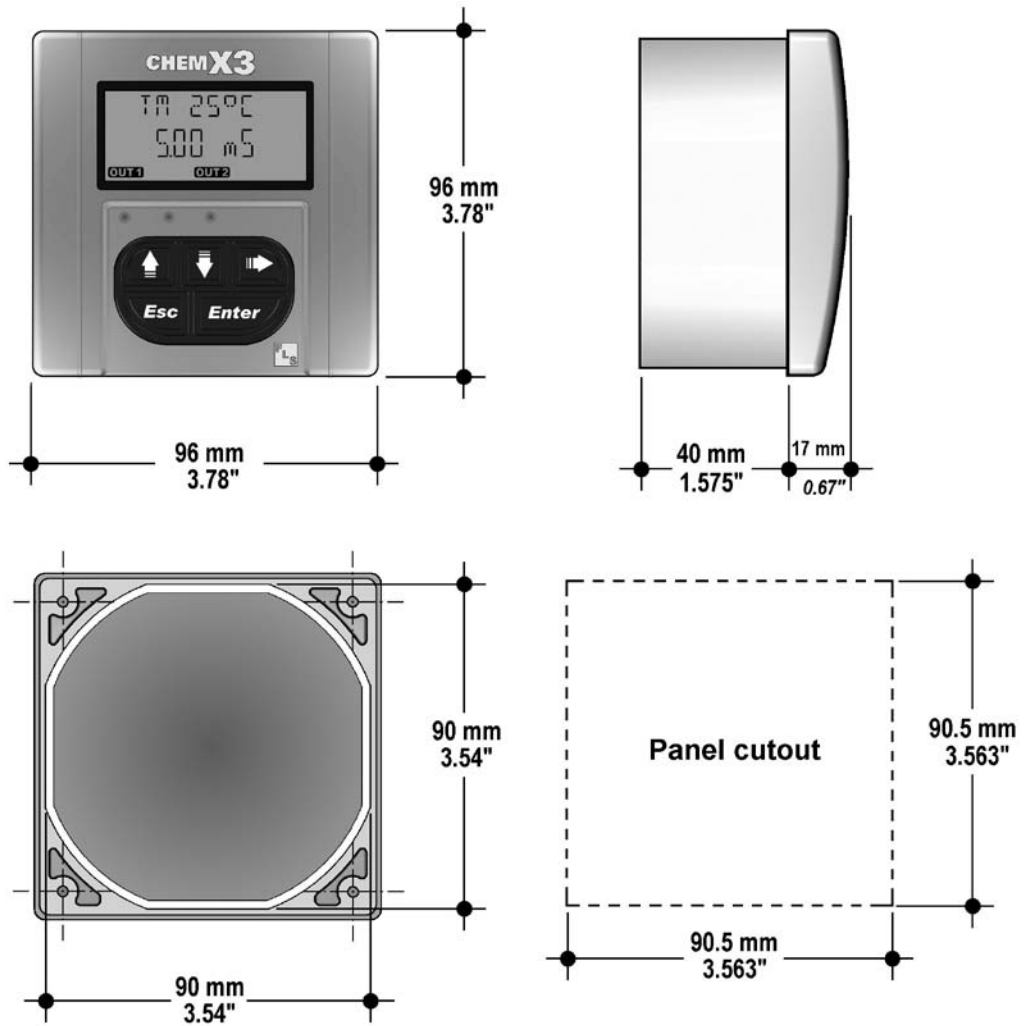
Connections to CHEMX3 sensors

Conductivity Sensors

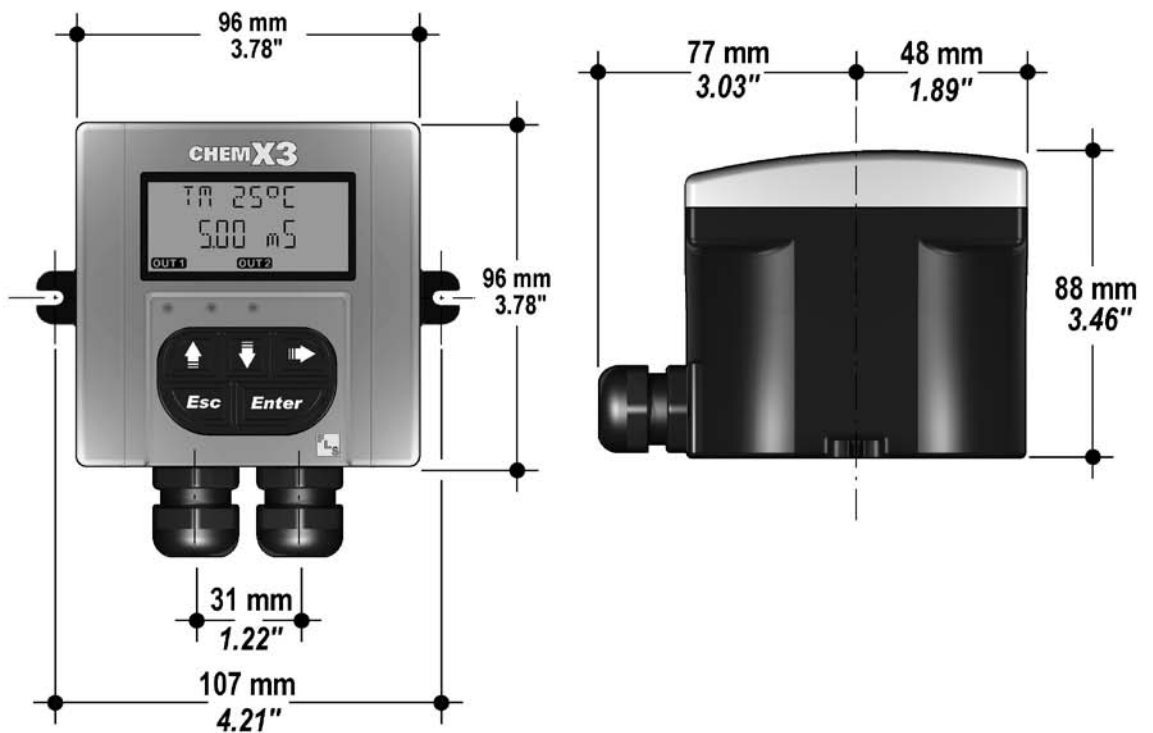
C100, C150, C200, C250 series

Please refer to individual sections for more information.

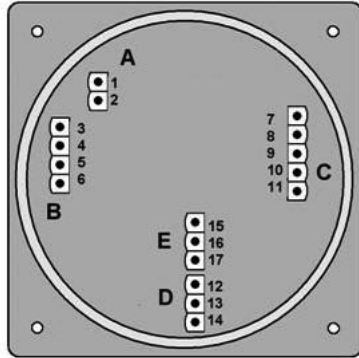
Dimensions Panel mount



Wall mount



Rear Terminal View



1	+ Vac/dc	A	
2	- Vac/dc		
3	+ HOLD	B	
4	- HOLD		
5	+ LOOP		
6	- LOOP		
7		C	
8			1
9			0
10	+ IN	D	
11	- IN		
12	NC	E	
13	COM		
14	NO		
15	NC	E	
16	COM		
17	NO		

Technical Data

General

- Materials:
 - Case: PC
 - Panel gasket: Neoprene
 - Wall gasket: EPDM
 - Keypad: 5-button silicone rubber.
- Display:
 - 3 line LCD: 2 x 12 alphanumeric lines + 1 icon line
 - Update rate: 1 second
 - Contrast: User adjustable with 5 levels.
- Enclosure: IP65 front

Conductivity

- Sensor Input range:
 - 0,1÷200µS with probe cell Constant = 0.01
 - 1÷2000µS with probe cell Constant = 0.1
 - 10÷20000µS with probe cell Constant = 1.0
 - 100÷200000µS with probe cell Constant = 10.0
- Accuracy: ± 0.1 % F.S.
- Temperature Range: 0÷100°C with PT100 three wires
- Temperature Accuracy: ± 1°C
- Temperature Resolution: 0.15°C

Electrical

- Supply Voltage: 24 VAC/DC ± 20%.
- Current output:
 - 4...20 mA (±0.05%, ±0.01mA), isolated, fully adjustable and reversible
 - Max loop impedance: 500 Ω.
- Relay output:
 - Mechanical SPDT contact
 - Contact 10A 250V.
- Input Voltage for Hold Function: 15÷30 VAC/DC Optically isolated
- Protection Fuse: 150 mA (Regenerate)

Environmental

- Operating temperature: -10 to +60°C (14 to 158°F).
- Storage temperature: -15 to +80°C (5 to 176°F).
- Relative humidity: 0 to 95% non condensing

Standards & Approvals

- Manufactured under ISO 9001 (Quality).
- Manufactured under ISO 14000 (Environmental Management).
- CE.

Ordering Data

CHEMX3 Conductivity Controllers and Transmitters

Part No.	Description	Power Supply	Input	Output	Weight (gr.)
C5.02	Conductivity monitor and transmitter	24 VAC/DC	Conductivity, Temperature	1 (4-20mA) 2 (Relay)	550
C5.02.P1	Panel mounting conductivity monitor and transmitter	24 VAC/DC	Conductivity, Temperature	1 (4-20mA) 2 (Relay)	550
C5.02.W1	Wall mounting conductivity monitor and transmitter	24 VAC/DC	Conductivity, Temperature	1 (4-20mA) 2 (Relay)	650
C5.02.W2	Wall mounting conductivity monitor and transmitter	110-230 VAC	Conductivity, Temperature	1 (4-20mA) 2 (Relay)	750