

# FLS C150-200

## GRAPHITE OR PLATINUM CONDUCTIVITY SENSORS



The FLS C150-200 conductivity sensors feature graphite or high resolution platinum ring technology. Durable epoxy body construction provides rugged and dependable sensors. Due to platinum electrodes and ATC elements these sensors provide accurate and high resolution measurement. They can be used for both laboratory and industrial applications. Sensor electrodes are well protected so cell constant can't be easily damaged by solids presence. Three cell constants are available depending on the operating range required. A simple and reusable gland can be used for economic electrode in-line mounting while a 1/2" or 3/4" coupler with a pipe extension is enough for submersion mounting. A specific kit allows to mount these probes on FLS T fitting as well as to FLS clamp saddle.

### APPLICATIONS

- Chemical concentrations
- Foods industry
- Steam generation
- Metal finishing and mining
- Textile industry
- Pulp and paper
- Water treatment
- Reverse osmosis
- Softener regeneration
- De-ionization
- Distillation
- Aquaculture
- Agriculture and fertilizing systems

### MAIN FEATURES

- Graphite or Platinum measuring surfaces
- Suitable for laboratory, industrial or portable applications
- In line and submersion installation
- Available with or without ATC (temperature sensor)
- Cell constant choices of 0.1 and 10



# TECHNICAL DATA

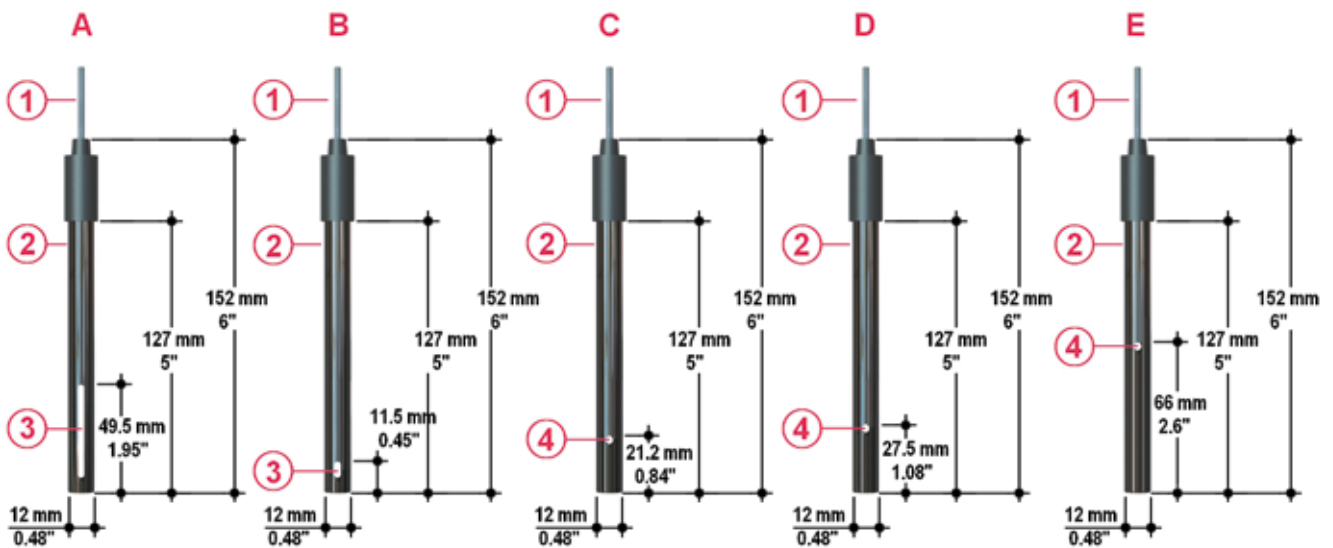
## General

- Operating Range:
  - C150.01, C150.01 TC, C200.01, C200.01 TC: 0.1  $\mu$ S to 2000  $\mu$ S (10 M $\Omega$  to 500  $\Omega$ )
  - C150.1, C150.1 TC, C200.1, C200.1 TC: 1  $\mu$ S to 20000  $\mu$ S
  - C200.10, C200.10 TC: 10  $\mu$ S to 200000  $\mu$ S
- Temp. compensation device (for TC models): Pt100
- Cable length: 5 meter (16 ft.)
- Max. distance electrode-controller (without signal conditioning): 20 meter (66 ft)
- Process Connection:
  - in-line installation with: threaded nipple 1/2" or 3/4"
  - FLS installation fittings
  - submersible installation
- Working temperature: 0°C to 70°C (32°F to 158°F)
- Max. Working Pressure: 7 bar (100 psi)
- Wetted materials:
  - body: epoxy
  - measuring surface: graphite (C150 version) or platinum (C200 version)

## Standards & Approvals

- Manufactured under ISO 9001
- Manufactured under ISO 14001
- CE
- RoHS Compliant
- GOST R

# DIMENSIONS



- A C150.01, C150.01 TC
- B C150.1, C150.1 TC
- C C200.01, C200.01 TC
- D C200.1, C200.1 TC
- E C.200.10, C.200.10 TC

- 1 Cable: 5m (16,5 ft.)
- 2 Epoxy body
- 3 Graphite electrodes
- 4 Platinum electrodes

## ORDERING DATA

C150 Epoxy body Conductivity Sensors						
Part No.	Description /Name	Applications/ Operative Range	Cell Constant	Connection	Installation	Weight (gr.)
C150.01	Graphite Conductivity Sensor	0.1 $\mu$ S to 2000 $\mu$ S	0,1 Cell	5 m (16,5 ft.)	EG50P, EG75P, MIFV20X05, MIMC20X05	200
C150.1	Graphite Conductivity Sensor	1 $\mu$ S to 20000 $\mu$ S	1,0 Cell	5 m (16,5 ft.)	EG50P, EG75P, MIFV20X05, MIMC20X05, MK150200	200
C150.01TC	Graphite Conductivity Sensor with Temperature Sensor included	0.1 $\mu$ S to 2000 $\mu$ S	0,1 Cell	5 m (16,5 ft.)	EG50P, EG75P, MIFV20X05, MIMC20X05	200
C150.1TC	Graphite Conductivity Sensor with Temperature Sensor included	1 $\mu$ S to 20000 $\mu$ S	1,0 Cell	5 m (16,5 ft.)	EG50P, EG75P, MIFV20X05, MIMC20X05, MK150200	200

C200 Epoxy body Conductivity Sensors						
Part No.	Description /Name	Applications/ Operative Range	Cell Constant	Connection	Installation	Weight (gr.)
C200.01	Platinum Conductivity Sensor	0.1 $\mu$ S to 2000 $\mu$ S	0,1 Cell	5 m (16,5 ft.)	EG50P, EG75P, MIFV20X05, MIMC20X05	200
C200.1	Platinum Conductivity Sensor	1 $\mu$ S to 20000 $\mu$ S	1,0 Cell	5 m (16,5 ft.)	EG50P, EG75P, MIFV20X05, MIMC20X05	200
C200.10	Platinum Conductivity Sensor	10 $\mu$ S to 200000 $\mu$ S	10,0 Cell	5 m (16,5 ft.)	EG50P, EG75P, MIFV20X05, MIMC20X05	200
C200.01TC	Platinum Conductivity Sensor with Temperature Sensor included	0.1 $\mu$ S to 2000 $\mu$ S	0,1 Cell	5 m (16,5 ft.)	EG50P, EG75P, MIFV20X05, MIMC20X05	200
C200.1TC	Platinum Conductivity Sensor with Temperature Sensor included	1 $\mu$ S to 20000 $\mu$ S	1,0 Cell	5 m (16,5 ft.)	EG50P, EG75P, MIFV20X05, MIMC20X05	200
C200.10TC	Platinum Conductivity Sensor with Temperature Sensor included	10 $\mu$ S to 200000 $\mu$ S	10,0 Cell	5 m (16,5 ft.)	EG50P, EG75P, MIFV20X05, MIMC20X05	200



**GESINT.**  
WWW.GESINTSRL.IT

**GESINT S.R.L.**  
Via Perosi, 5  
20010 Bareggio (MI) - ITALY  
Tel. +39-02-9014633 - +39-335-6282615  
Fax +39-02-90362295  
E-mail: info@gesintsrl.it